



RABE
PASSION FOR EXCELLENCE

STUBBLE CULTIVATION

Compact-Harrows | Disc-Harrows | Disc-Tine-Combinations | Subsoiler



The entire range at a glance.

TABLE OF CONTENT.

RABE MACHINES FOR STUBBLE CULTIVATION	Page 03
RABE – A STRONG BRAND	Page 04 05
FLYBIRD	
GENERAL DESCRIPTION	Page 06 07
FLYBIRD F FLYBIRD R	Page 08 09
FLYBIRD SP II FLYBIRD SP III FLYBIRD SP IV	Page 10 – 12
PARTS AND ACCESSORIES	Page 13
SUNBIRD	
SUNBIRD DMX F SUNBIRD DMX R SUNBIRD SP II	Page 14 – 16
PARTS AND ACCESSORIES	Page 17
LANDBIRD	
GENERAL DESCRIPTION	Page 18 19
LANDBIRD VC LANDBIRD VL	Page 20 21
BLACKBIRD	
GENERAL DESCRIPTION	Page 22 23
BLACKBIRD TL BLACKBIRD TI	Page 24 – 27
PARTS AND ACCESSORIES	Page 28 29
BLACKBIRD	
GENERAL DESCRIPTION	Page 30 31
BLACKBIRD TT BLACKBIRD JP BLACKBIRD AD BLACKBIRD ET	Page 32 – 39
PARTS AND ACCESSORIES	Page 40 41
COMBIBIRD	
GENERAL DESCRIPTION	Page 42 43
COMBIBIRD CB MX COMBIBIRD CB	Page 44 – 46
PARTS AND ACCESSORIES	Page 47
BLUEBIRD	
BLUEBIRD CL BLUEBIRD CL SP BLUEBIRD DFX BLUEBIRD DFP BLUEBIRD GH BLUEBIRD GR	Page 48 – 57
COMBI DIGGER	
COMBI DIGGER CD COMBI DIGGER LM 900 COMBI DIGGER NT 900	Page 58 – 60
DIGGER	
DIGGER NT 900 DIGGER LM 900 DIGGER LM K 900 DIGGER DVB SP	Page 61 – 63



Discover RABE on YouTube!

Find interesting videos on our YouTube-channel and see our machines in action! Please scan code for a direct connection!*

RABE MACHINES FOR STUBBLE CULTIVATION.

Solutions for all requirements.

Today's farmers are facing new tasks: the ever-changing requirements and circumstances in the areas of environment, economy and finance. To ensure the successful pursuit of his farm the farmer has got to have a good technical understanding and knowledge of the various tillage practices. Regardless of the harvested culture the stubble cultivation is the foundation for a healthy and bountiful harvest in the next year.



FIELDBIRD

Compact harrow with independently suspended discs (460 - 560 mm) for tractors from 90 to 380 hp.

» See more on page 6



SUNBIRD

Compact harrow with suspended double discs (630 mm) for tractors from 100 to 200 hp.

» See more on page 14



LANDBIRD

simple disc harrow for tractors from 100 to 180 hp.

» See more on page 18



BLACKBIRD

Disc harrows with central beam for tractors from 90 to 300 hp.

» See more on page 22



COMBIBIRD

one-pass-finisher with dents and discs.

» See more on page 42



BLUEBIRD

Cultivator mounted and semi-mounted for tractors from 70 to 280 hp.

» See more on page 48



COMBI DIGGER

Subsoilers can be used solo or combined with a rotary harrow for tractors from 120 to 200 hp.

» See more on page 56



DIGGER

Subsoilers for tractors from 120 to 240 hp.

» See more on page 59

Passion for excellence.

RABE – A STRONG BRAND.

Committed and focused on today's and tomorrow's customers.

"Passion for Excellence" – our pedigree of more than 125 years of experience in developing and manufacturing highly innovative technologies for tillage and seeding operations in Bad Essen provides the foundation for a successful partnership with our most demanding customers today and tomorrow. It's our relentless goal to deliver the most modern solutions to make your business more profitable than ever before in any step of your tillage, seeding and fertilizing operations.

"Passion for Excellence" is our motivation driver in any step of the delivery process, starting with the design, innovation and robustness of the products, the quality of production, the expertise in sales and service, the parts delivery and finally ending up at the overall commitment of our employees. A solid education and an ongoing training is therefore key.

And as a subsidiary of the Grégoire Besson Group, RABE can count back on the experience and knowledge of a worldwide operating partner and leverage solution and technologies used on multiple product platforms throughout the world.



+ Most modern product development

State-of-the art development programs and computer aided design analysis support a fast overall design process, eliminate potential risks in the design before the first prototype has been build and therefore accelerate the entire process from testing a first prototype until releasing the product.

+ Comprehensive testing

All RABE developments undergo a stringent testing process that includes long term lab tests, testing at the factory and on-site field testing at selected customers to embrace all types of valuable input at a very early stage of the development.

+ Patented technologies

Patented technologies such as RABE CONIT and RABEDUR ensure most wear resistant parts produced, hardened and tampered in house in our own forge.

+ Precision work

Cutting sophisticated parts is done with a plasma gun faster and more accurate than anything else to make sure individual components fit together free of play for long life performance.

+ Most accurate robot welding

Special welding is done fully automatically by robots to deliver a consistent welding quality throughout the entire product range and completely independent from daily up and downturns.

+ State-of-the-art painting

A new paint facility seamlessly integrated into a continuous production flow guarantees a perfect paint finish. The 5 step process of washing, scouring, preheating, priming and coating tops off the quality of our products.

+ Investing into future employees

A comprehensive education and ongoing training is key at RABE. Delivering skills from one generation of employees to the next differentiates us from others and makes us better together.





+ Sharing information and know how

A continuous engagement between research and development, production, sales, customer support and quality management in Germany and France within the Grégoire Besson Group provides the foundation to deliver highly productive and durable products and solutions that exactly match the needs of our most critical customers. Furthermore it proves the ongoing commitment of leveraging cost efficient synergies within the group in terms of line production of critical components to finally deliver products that last.

Discover RABE on YouTube!

Have a look at our factory and see how we work! Discover our YouTube-channel! Please scan code for a direct connection!



GENERAL DESCRIPTION.

Compact disc harrow with independently suspended discs.

Our FIELD BIRD was designed to combine working quality (5 to 12 cm of working depth) and performance (3 to 14 ha / h). Choose from a wide range to meet your expectations : mounted or semi-mounted, fixed or foldable frames.



- » Simplicity and precision of use thanks to the master / slave cylinders for the adjustment of working depth.
- » Option on mounted versions (fixed and foldable)

Bearings of roller and discs are maintenance-free.

Axle between discs and roller:

- » Best manoeuvrability
- » More stability in working position



- » Individual suspension for a precise guidance of the discs at high speed.
- » 15 cm suspension travel to allow bypassing stones and obstacles.
- » Heat-formed arm for more rigidity at work and precision at high speed.
- » Maintenance-free element.



- » Disc distance of 250 mm.
- » Interlacing of disc rows can be repositioned when the discs begin to wear down.

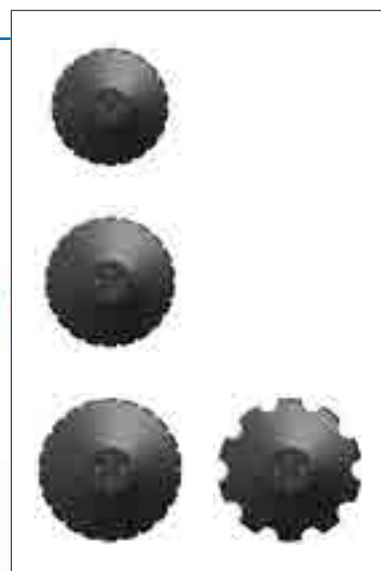




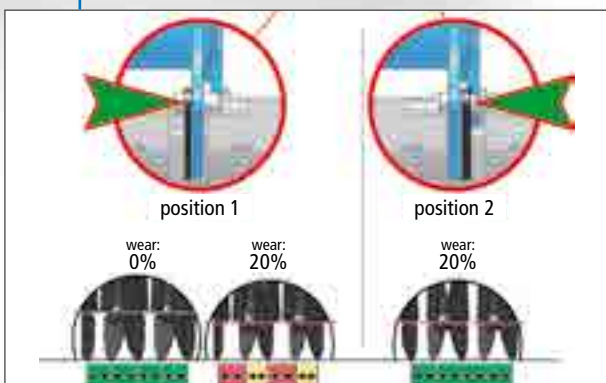
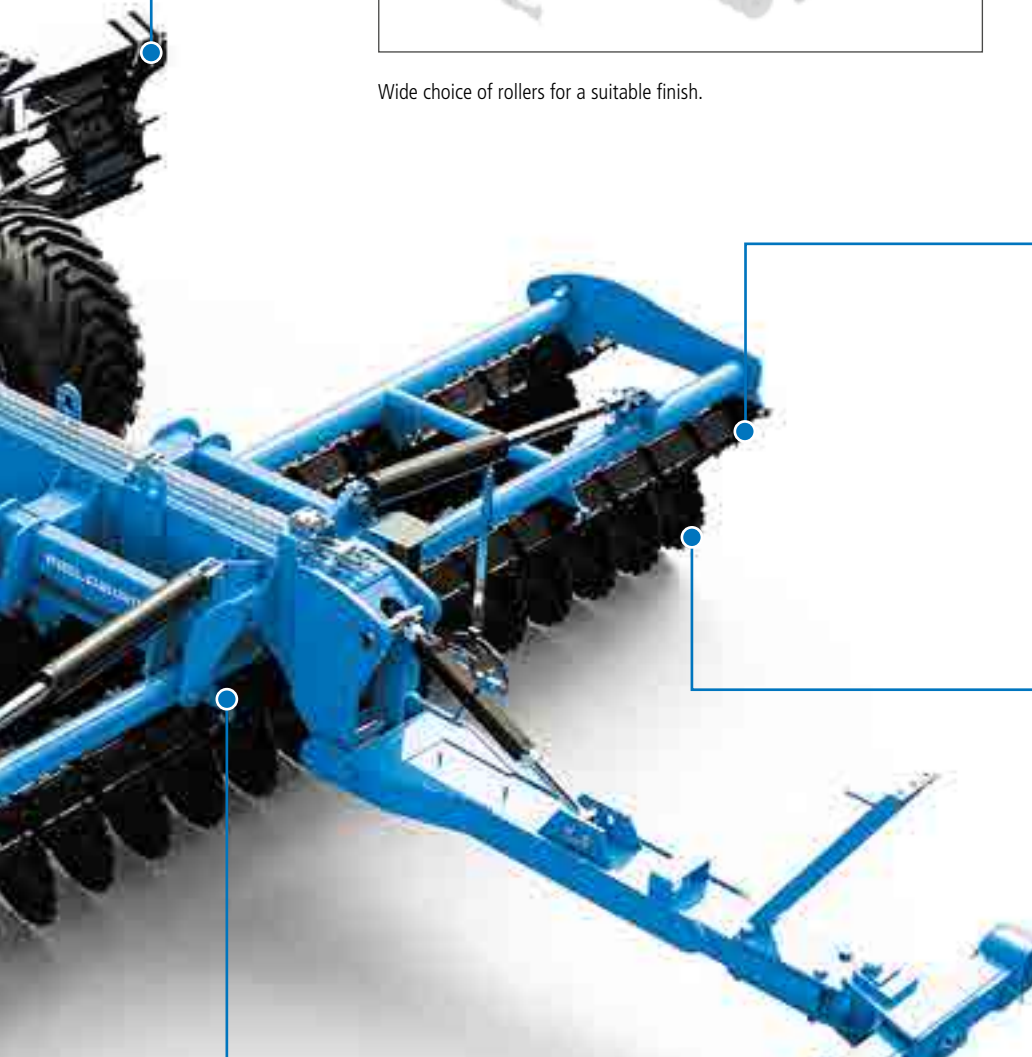
Wide choice of rollers for a suitable finish.



- » RABE Flex suspension of 4 elastomeric logs of natural rubber.
- » Hot-formed arm in our forges, profiled for a better passage in plant debris and to avoid the accumulation of earth.
- » Rigid and well balanced for a precisely controlled repositioning.



- Choice of diameter
- » 460 × 5 mm (optional)
 - » 510 × 5 mm
 - » 560 × 6 mm (optional)
 - » The flat profile of the discs supports the comminution of plant residues.
 - » Maintenance-free bearings.



Repositionable interlocking to ensure optimal stubble cultivation.

FILEDBIRD F

MOUNTED RIGID FRAME FOR TRACTORS FROM 90 HP.

The FILEDBIRD F corresponds to smaller parcelled agricultural structures.

Its compact design gives it great manoeuvrability and very simple use. The mechanical or hydraulic (optional) adjustment of the roller ensures fast adaptability.

Standard equipment

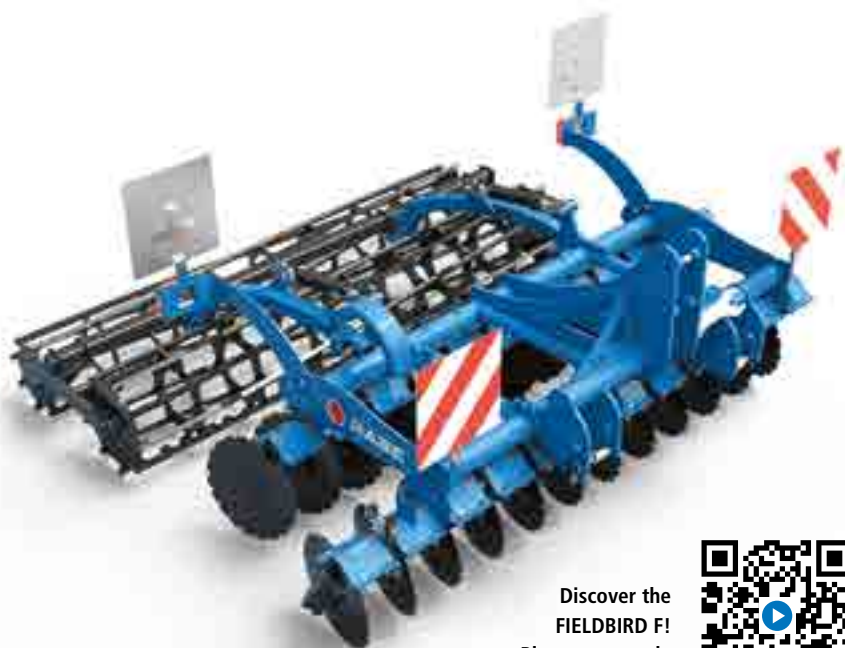
- » Cat 2/3 hitch
- » Safety and Arms: RABE Flex
- » Discs: Two rows of disc-shaped and curved mulching discs Ø 510 mm
- » Disc bearing and maintenance-free roller

Rear equipment

- » Wide range of rollers (see p 13)

Options

- » Hydraulic adjustment of the rollers
- » Discs diameter 460 × 5 mm or 560 × 6 mm (Fine or coarse jagged)
- » Following straw harrow



Discover the
FILEDBIRD F!
Please scan code
for video!



Hitch category 2/3 for compatibility with all the tractors of the concerned power range.



Retractable discs for a transport width of 3.00 m.



Hydraulic depth adjustment from the cab using the master / slave cylinders (optional).

Technical characteristics	FILEDBIRD mounted rigid frame		
Machine	3000 E	3500 E	4000 E
Number of discs	24	28	32
Diameter of disc/thickness (mm)	460/5, 510/5, 560/6		
Disc distance (mm)	250		
Type of machine	mounted rigid frame		
Working width (m)	3,00	3,50	4,00
Transport width (m)	3,00	3,80	4,30
Weight (kg)	1.650	1.900	2.150
Required tractor power (hp)	90	120	150

Weight (without roller) and required horsepower are reference values and vary due to different soil conditions.

FOLDED VERSION FOR TRACTORS FROM 120 HP.

The FIELD BIRD is designed for medium-sized agricultural structures and simple use.

Its folding in 2 parts (width 2.50 m with transport) allows a great flexibility of use in everyday life to pass from one field to another. The mechanical or hydraulic (optional) setting of the roller ensures rapid adaptability to the terrain.

Standard equipment

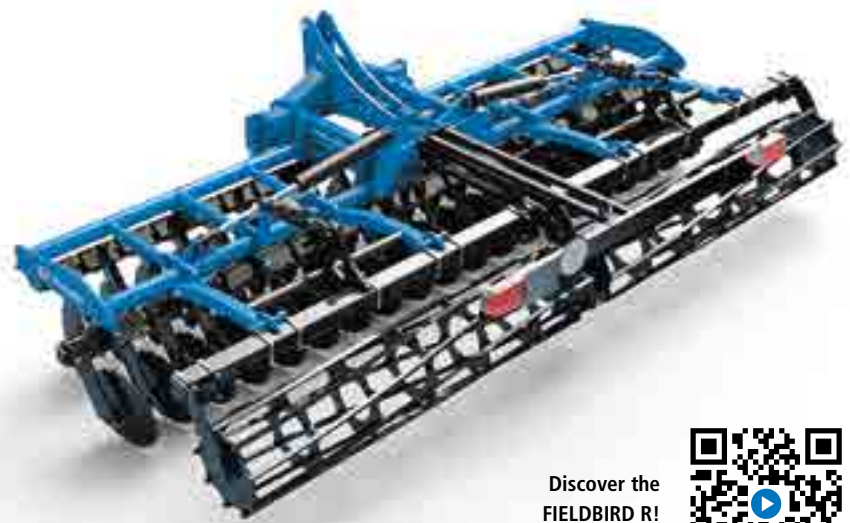
- » Cat 2/3 hitch
- » Safety and Arms: RABE Flex
- » Discs: Two rows of disc-shaped and curved mulching discs Ø 510 mm
- » Disc bearing and maintenance-free roller
- » Hydraulic folding to 2.50 m transport width

Rear equipment

- » Wide range of rollers (see p 13)

Options

- » Hydraulic adjustment of the rollers
- » Discs diameter 460 × 5 mm or 560 × 6 mm (Fine or coarse jagged)
- » Following straw harrow
- » Parking stand for folded position



Discover the FIELD BIRD R!
Please scan code for video!



Hitch category 2/3 for compatibility with all the tractors of the concerned power range.



Transport width 2.50 m for great flexibility of use.



Hydraulic depth adjustment from the cab using the master / slave cylinders (optional).

Technical characteristics	FIELD BIRD mounted foldable version		
	4000 EK	5000 EK	6000 EK
Machine	4000 EK	5000 EK	6000 EK
Number of discs	32	40	48
Diameter of disc/thickness (mm)	460/5, 510/5, 560/6		
Disc distance (mm)	250		
Type of machine	mounted foldable frame		
Working width (m)	4,00	5,00	6,00
Transport width (m)	2,50		
Weight (kg)	2.600	2.900	3.300
Required tractor power (hp)	120	150	200

Weight (without roller) and required horsepower are reference values and vary due to different soil conditions.

FIELD BIRD SP II

SEMI-MOUNTED WITH FOLDING IN 2 PARTS FOR TRACTORS FROM 120 HP.

The FIELD BIRD SP II has a central beam and the axle is situated between discs and roller.

This way it allows great manoeuvrability on the road and at the field ends. This range of tools is suitable for larger fields for high worksite speeds of up to 8.5 ha per hour.

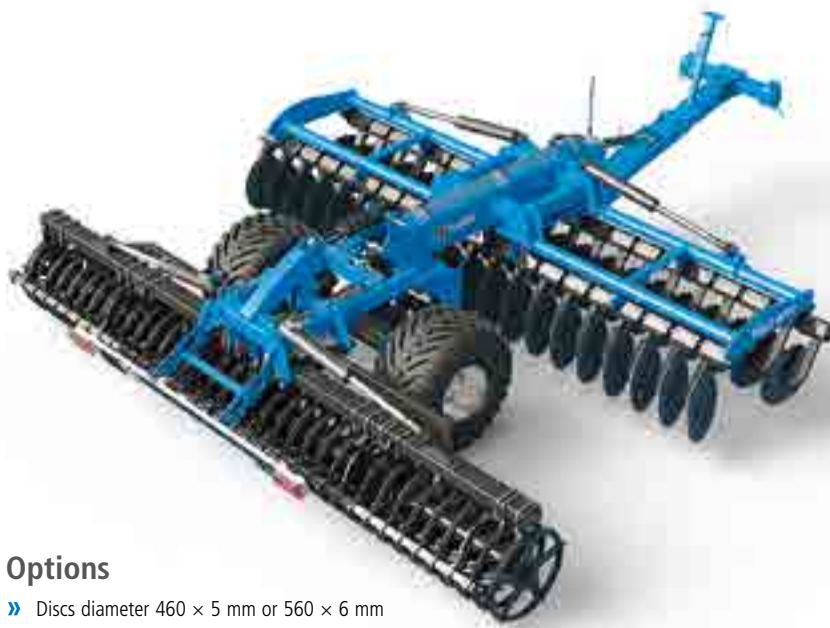
- » The axle is equipped with 500 / 45-22.5 wheels, with an approved braking device.
- » Center frame 300 × 200 × 10 mm
- » Side frames 105 × 7.5 mm
- » Round tubes are more rigid and less sensitive for accumulation of debris.

Standard equipment

- » Cat. 2 or 3 (3 or 3 short of your choice)
- » or conical sleeve Ø 35, Ø 45, Ø 55 mm
- » Safety and Arms: RABE Flex
- » Discs: Two rows of jagged and curved mulching discs Ø 510 mm
- » Hydraulic adjustment of the rollers
- » Disc bearing and maintenance-free roller

Rear equipment

- » Wide range of rollers (see p 10)



Simple mechanical depth adjustment of the drawbar. Hydraulically as option.



Hydraulic adjustment of working depth with optical indicator.

Options

- » Discs diameter 460 × 5 mm or 560 × 6 mm (Fine or coarse jagged)

Discover the
FIELD BIRD SP II!
Please scan code
for video!



Technical characteristics	FIELD BIRD semi-mounted two-part folding		
Machine	4000 SP2	5000 SP2	6000 SP2
Number of discs	32	40	48
Diameter of disc/thickness (mm)	460/5, 510/5, 560/6		
Disc distance (mm)	250		
Type of machine	semi mounted two-part folding		
Working width (m)	4,00	5,00	6,00
Transport width (m)	2,50		
Weight (kg)	4.000	4.250	4.820
Required tractor power (hp)	120	150	200

Weight (without roller) and required horsepower are reference values and vary due to different soil conditions.

FIELD BIRD SEMI-MOUNTED 3 PARTED FOLDING FOR TRACTORS FROM 180 HP.

The FIELD BIRD SP 3 has a central frame and two lateral ones.

The central axle (between the discs and the roller) allows great manoeuvrability on the road and at the end of the field. The Filedbird SP 3 is suitable for large fields and very high working speeds up to 14 ha per hour.

Standard equipment

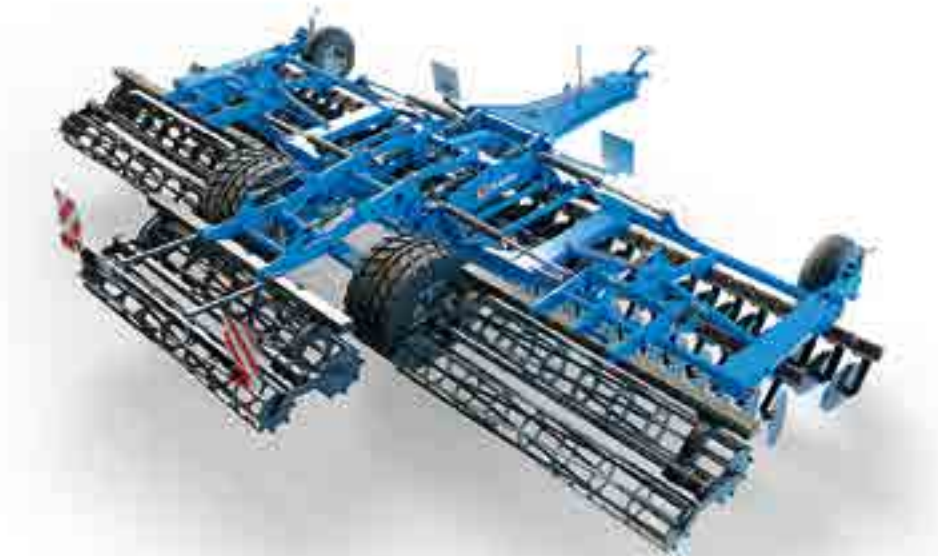
- » Cat 2 or 3 (3 or 3 short of your choice)
- » or conical sleeve Ø 35, Ø 45, Ø 55 mm
- » Safety and Arms: RABE Flex
- » Discs: Two rows of jagged and curved mulching discs Ø 510 mm
- » Hydraulic adjustment of the rollers
- » Disc bearing and maintenance-free roller
- » Hydraulic folding in 3 parts
- » Wheels 600/50 - 22.5
- » Depth wheels 11.5 - 80 x 15.3

Rear equipment

- » Wide range of rollers (see p 10)

Options

- » Discs diameter 460 × 5 mm or 560 × 6 mm (Fine or coarse jagged)



Hydraulic depth adjustment from the cab using the master / slave cylinders (optional).

Discover the FIELD BIRD SP II!
Please scan code for video!



Technical characteristics	FIELD BIRD semi-mounted three-part folding		
	7000 SP3	8000 SP3	9000 SP3
Machine	7000 SP3	8000 SP3	9000 SP3
Number of discs	56	64	72
Diameter of disc/thickness (mm)	460/5, 510/5, 560/6		
Disc distance (mm)	250		
Type of machine	semi mounted three-part folding		
Working width (m)	7,00	8,00	9,00
Transport height (m)	3,50	4,00	4,50
Transport width (m)	3,00		
Weight (kg)	6.450	6.850	7.270
Required tractor power (hp)	180	200	250

Weight (without roller) and required horsepower are reference values and vary due to different soil conditions.

FIELD BIRD SP IV

SEMI-MOUNTED WITH FOLDING IN 3 PARTS FOR TRACTORS FROM 280 HP.

The FIELD BIRD SP IV has a supporting frame and three working elements.

The central axle (in front of the working elements) allows great manoeuvrability with turns in half circles. This range of tools is suitable for very large agricultural structures with very high working speeds up to 14 ha per hour.

Standard equipment

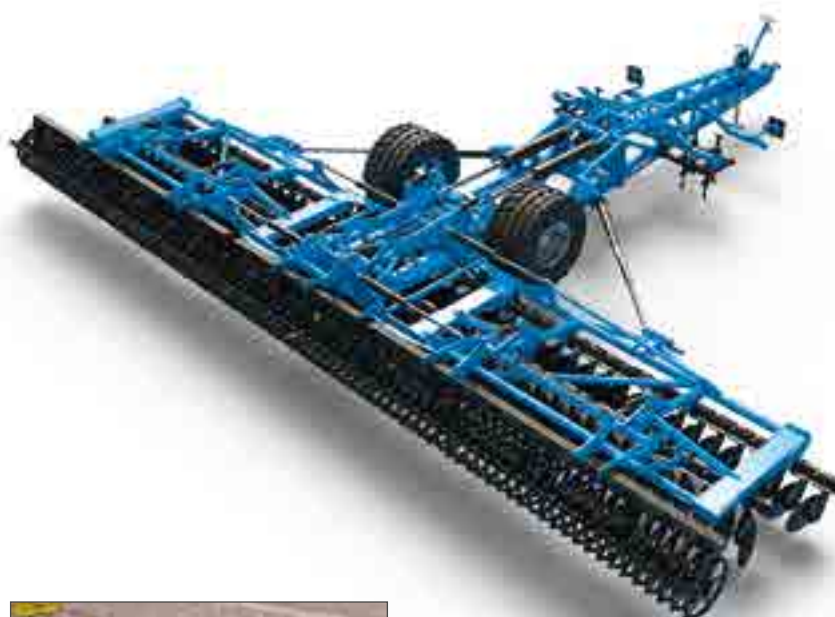
- » Cat. 2 or 3 (3 or 3 short of your choice)
- » or conical sleeve Ø 45, Ø 55, Ø 65, Ø 70 mm or Scharmueller K80
- » Safety and Arms: RABE Flex
- » Discs: Two rows of jagged and curved mulching discs Ø 510 mm
- » Hydraulic adjustment of the rollers
- » Disc bearing and maintenance-free roller
- » Hydraulic folding in 3 parts
- » Wheels NOKIAN Land King 600/50 - 22.5
- » Depth wheels 11.5 - 80 x 15.3

Rear equipment

- » Wide range of rollers (see p 10)

Options

- » Discs diameter 460 × 5 mm or 560 × 6 mm (Fine or coarse jagged)



Technical characteristics	FIELD BIRD semi-mounted three-part folding	
Machine	10 000 SP4	12 000 SP4
Number of discs	80	96
Diameter of disc/thickness (mm)	460/5, 510/5, 560/6	
Disc distance (mm)	250	
Type of machine	semi mounted three-part folding	
Working width (m)	10,00	12,00
Transport height (m)	4,00	4,50
Transport width (m)	3,00	
Weight (kg)	10.500	12.000
Required tractor power (hp)	280	310

Weight (without roller) and required horsepower are reference values and vary due to different soil conditions.

PARTS AND ACCESSORIES.

Rear accessories to refinish the work.

The choice of the roller is a decisive aspect when purchasing a disc harrow. The roller makes the finish and gives the final result of the work as well on agronomic and on aesthetic aspects. RABE offers the most complete range of rollers on the market to suit your soil types and your finishing needs.



- Square bar crumbler roller Ø 500 mm**
- » Attacks crop residues and surface clods.
 - » It facilitates soil / seed contact and germination during false seeding.
 - » Versatile, lightweight and economical.
 - » Suitable for different soil types.



- Double roller square bar Ø 500/400 mm**
- » Destruction of plant residue and fine soil.
 - » Used to separate soil from roots and breaking up crop residues and surface clods.
 - » Strongest ability of all rollers to create fine soil for soil preparation.



- Diamond roller Ø 500 mm**
- » Reconsolidating and leveling.
 - » Used to break the clods and incorporate them on the ground.
 - » Facilitates soil / seed contact and germination during false seeding, in-line seeding.
 - » Allows to postpone the use of the machine at the end of the season.



- Kompressor roller Ø 650 mm (furrower)**
- » False seedling.
 - » Used to break the hardest clods and repress them into the ground.
 - » It creates soil / seed contact and promotes the germination of false seedlings, line seeding finish.
 - » It allows a quality recovery in clay soil and dry conditions.



- RIPA roller Ø 600 mm (rubber)**
- » False sowing and soil preparation.
 - » Traditionally used on seed preparation tools. The RIPA performs under rather wet conditions for the purpose of false seeding or preparation of soil before sowing



- Roller Packer Ø 660 mm (steel)**
- » Breaks the clods, crumbles and reconsolidates.
 - » Traditionally used on seedbed preparation tools.
 - » Packer ensures a homogeneous work on all types of soils.
 - » It is especially distinguished in dry working conditions and in wet conditions thanks to its scraper positioned at the bottom.

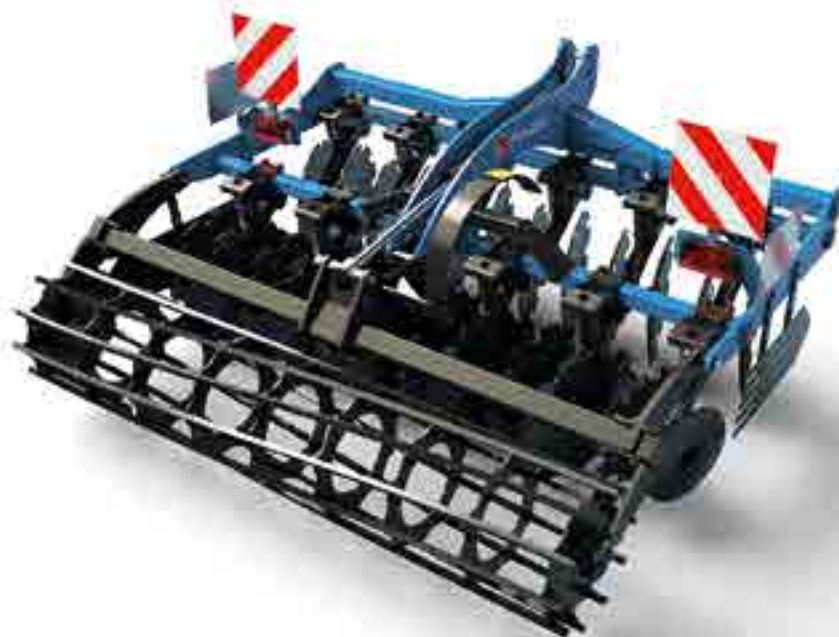
Features		Square bar crumbler roller	Double crumbler roller	Diamond Roller	Kompressor Roller	RIPA Roller	ToothPacker
Compatibility	Mounted Rigid	ok	ok	ok	–	ok	ok
	Mounted Foldable	ok	ok	ok	–	ok	ok
	Semi-Mounted Foldable 2 parted	ok	ok	ok	ok	–	ok
	Semi-Mounted Foldable 3 parted	ok	ok	ok	ok	–	ok
Soil texture	Very soft		•				•
	Flexible	•	•			•	•
	Medium	•	•	•	•	•	•
	Hard	•	•	•	••		••
Moisture	Dry	•	•	•	••	•	•
	Medium	•	•	•	•	•	•
	Very wet			•		••	••
Vocation	Plant destruction	•	••		•		•
	False seedlings	•	•	•	••	••	••
	Preparation of seedlings	•	••	•	•	••	••
	Wintering work	•		••	•		

LARGE DISCS ON INDEPENDENT DISK ARMS. SEMI-MOUNTED FOR TRACTORS FROM 100 HP.

The SUNBIRD is characterized by the mounting of two discs per suspension with large (620 mm) discs.

Standard Equipment

- » Cat 2, 3N and 3
- » Frames 100 x 100 x 10 und 80 x 80 x 8 mm
- » Discs: Roll coup discs Ø 630 mm, 7 mm thick
- » One suspension per two discs.
- » Rubber (standard) or spring loaded (option) suspension.
- » Reflection disc
- » Hydraulic folding
- » Hydraulic roller adjustment
- » Lighting and warning signs



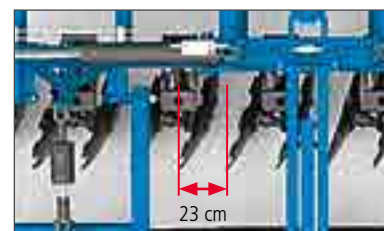
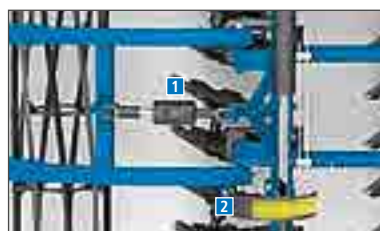
- » Double disc suspension for a better wheel spinning - even under larger residue conditions.
- » Offset assembly of disc with two bearings for a perfect working geometry.
- » Heat-formed arm for more rigidity at work and precision at high speed.

Adjusting the working depth

- 1 Simple and precise adjusting by hydraulic cylinder.
- 2 Indicator visible from the cab.

Distance of 23 cm

- » Allows better destruction of plants and therefore better degradation in the soil.

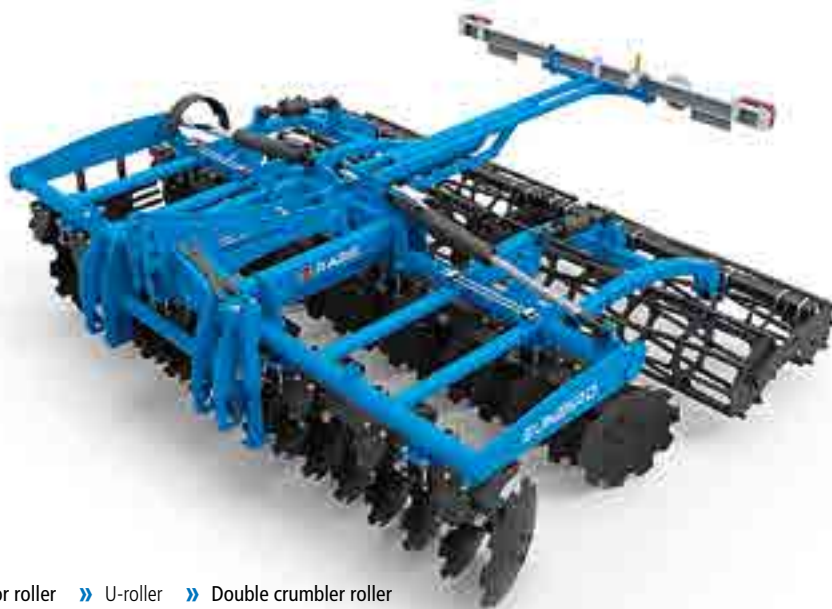


Technical characteristics	SUNBIRD DMX F			SUNBIRD DMX R		
	DMX 3000 F	DMX 3500 F	DMX 4000 F	DMX 4000 R	DMX 5000 R	DMX 6000 R
Machine						
Number of discs	24	28	32	32	40	48
Diameter of disc/thickness (mm)	630/7					
Disc distance (mm)	230					
Type of machine	mounted rigid frame			mounted foldable frame		
Working width (m)	3,00	3,50	4,00	4,00	5,00	6,00
Transport width (m)	3,00	3,50	4,00	3,00		
Weight (kg)	1.850	1.980	2.150	2.760	3.250	3.780
Required tractor power (hp)	100	120	130	130	170	200

Weight (without roller) and required horsepower are reference values and vary due to different soil conditions.

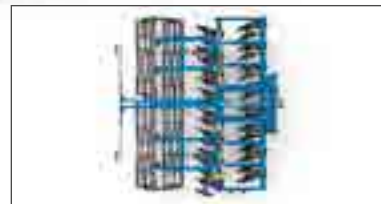
Standard Equipment

- » Cat 2, 3N and 3
- » Frames 140 x 140 x 8 und 140 x 80 x 8 mm
- » Roll coup discs Ø 620 mm, 7 mm thick
- » One suspension per two discs
- » Rubber (standard) or spring loaded (option) suspension
- » Reflection disc
- » Hydraulic folding
- » Hydraulic roller adjustment
- » Lighting and warning signs



Choose your suitable roller:

- » Crumbler roller
- » Diamond roller
- » Kompressor roller
- » U-roller
- » Double crumbler roller



Choice of safety

Non-mechanical stop with spring by compression.

- » 166 kg release force
- » 13 cm spring deflection

Non-stop mechanical by elastomer elements.

- » 64 kg release force
- » 13 cm spring deflection
- » Maintenance-free

Large Diameter Discs

- » Diameter 630 mm
- » Thickness 7 mm
- » Flat disc profile

This disc allows passage even in the presence of large amounts of plant residue. The diameter avoids stuffing and the flat curve ensures a good cutting ability.

SUNBIRD SP II

SEMI-PORTÉ

FOR TRACTORS FROM 160 HP.

These semi-mounted SUNBIRD is also characterized by the mounting of two discs per suspension with large (620 mm) discs.

It stands out from the competition by its carrying axle in front of the roller:

STANDARD EQUIPMENT

- » Cat 2, 3N and 3
- » Disc: Roll coup discs Ø 630 mm, 7 mm thick
- » One suspension per two discs
- » Rubber (standrad) or spring loaded (option) suspension
- » Reflection disc
- » Hydraulic folding
- » Hydraulic locking in transport position
- » Hydraulic roller adjustment
- » Maintenance bearings for discs and roller
- » Hydraulic brakes
- » Lighting and warning signs

Rear equipment as standard

- » Crumbler roller with square bars diameter 500 mm

Options

- » Wheels 500/45 × 22,5
- » Wheels 550/45 × 22,5
- » Wheels 600/50 × 22,5
- » Hydraulic adjustment of the roller
- » Wide choice of roller



Drawbar low mounted on arms for a better comfort of use.

Hydraulic drawbar cylinder

- » For a simple depth controlling
- » Allows adjusting even under difficult conditions
- » Precise adjusting of working depth in combination with hydraulic cylinder for roller

Axle between discs and roller

- » Manoeuvrability at headlands
- » Better weight distribution on the machine
- » Good handling on roads
- » Allows fitting of tyres adapted to the conditions

Hydraulic folding for transport

- » 2.50 m for transport
- » Automatic locking safety with pilot operated valve

Technical characteristics	SUNBIRD SP		
Machine	4000 SP	5000 SP	6000 SP
Number of discs	32	40	48
Diameter of disc/thickness (mm)	630/7		
Disc distance (mm)	230		
Type of machine	Semi mounted foldable		
Working width (m)	4,00	5,00	6,00
Transport width (m)	2,50		
Weight (kg)	5.900	6.400	6.900
Required tractor power (hp)	130	160	200

Weight incl. 500 mm crumbler roller) and required horsepower are reference values and vary due to different soil conditions.



Working depth adjustment.

- » Mechanical: adjustment with turnbuckles as standard
- » Hydraulic: Simple and precise with master / slave cylinders for working depth adjustment. (Optional)
- » Indicator visible from tractor cab

PARTS AND ACCESSORIES.

Rear accessories to refinish the work.

The choice of the roller is a decisive aspect when purchasing the disc harrow. It is the roller which makes the finish and which gives the final result of the work as well on agronomic and on aesthetic aspects. RABE offers the most complete range of rollers on the market to suit your soil types and your finishing needs.



- Square bar crumbler roller Ø 500 mm**
- » Attacks crop residues and surface clods
 - » It facilitates soil / seed contact and germination during false seeding
 - » Versatile, lightweight and economical
 - » Suitable for different soil types



- Double roller square bar Ø 500/400 mm**
- » Destruction of plant residue and fine soil
 - » Used to separate soil from roots and breaking up crop residues and surface clods
 - » Strongest ability of all rollers to create fine soil for soil preparation



- Diamond roller Ø 500 mm**
- » Reconsolidating and leveling
 - » Used to break the clods and incorporate them on the ground
 - » Facilitates soil / seed contact and germination during false seeding, in-line seeding
 - » Allows to postpone the use of the machine at the end of the season



- Kompressor roller Ø 650 mm (furrower)**
- » Used to break the hardest clods and repress them into the ground
 - » It creates soil / seed contact and promotes the germination of false seedlings
 - » Line seeding finish
 - » Allows a quality recovery in clay soil and dry conditions



- U-Roller Ø 600 mm**
- » U-rings in Ø 600 mm (60 × 6 U-profile)
 - » U-profile allows to break clods in dry soil
 - » Cuts root bales and incorporates plant residues into the soil
 - » Suitable for stony conditions

Features		Square bar crumbler roller Ø 500 mm	Square bar crumbler roller Ø 600 mm	Square bar crumbler roller Ø 750 mm	Double crumbler roller	Diamond Roller	Kompressor Roller	U-Roller Ø 600 mm
Compatibility	Mounted Rigid	ok	ok	–	ok	ok	–	–
	Semi-Mounted Foldable	ok	–	ok	ok	ok	ok	ok
Soil texture	Very soft				•			•
	Flexible	•	•	•	•			•
	Medium	•	•	•	•	•	•	•
	Hard	•	•	•	•	•	••	••
Moisture	Dry	•	•	•	•	•	••	•
	Medium	•	•	•	•	•	•	•
	Very wet					•		••
Vocation	Plant destruction	•	•	•	••		•	•
	False seedlings	•	•	•	•	•	••	••
	Preparation of seedlings	•	•	•	••	•	•	••
	Wintering work	•	•	•		••	•	

LANDBIRD

GENERAL DESCRIPTION.

Stubble cultivators with V-discs.

The LANDBIRD V-disc harrows own a simple but efficient design. The depth control is carried out by both the roller and / or the central axle.



Rear roller for a better work finish.



Arrangement of the V-shaped disc trains.



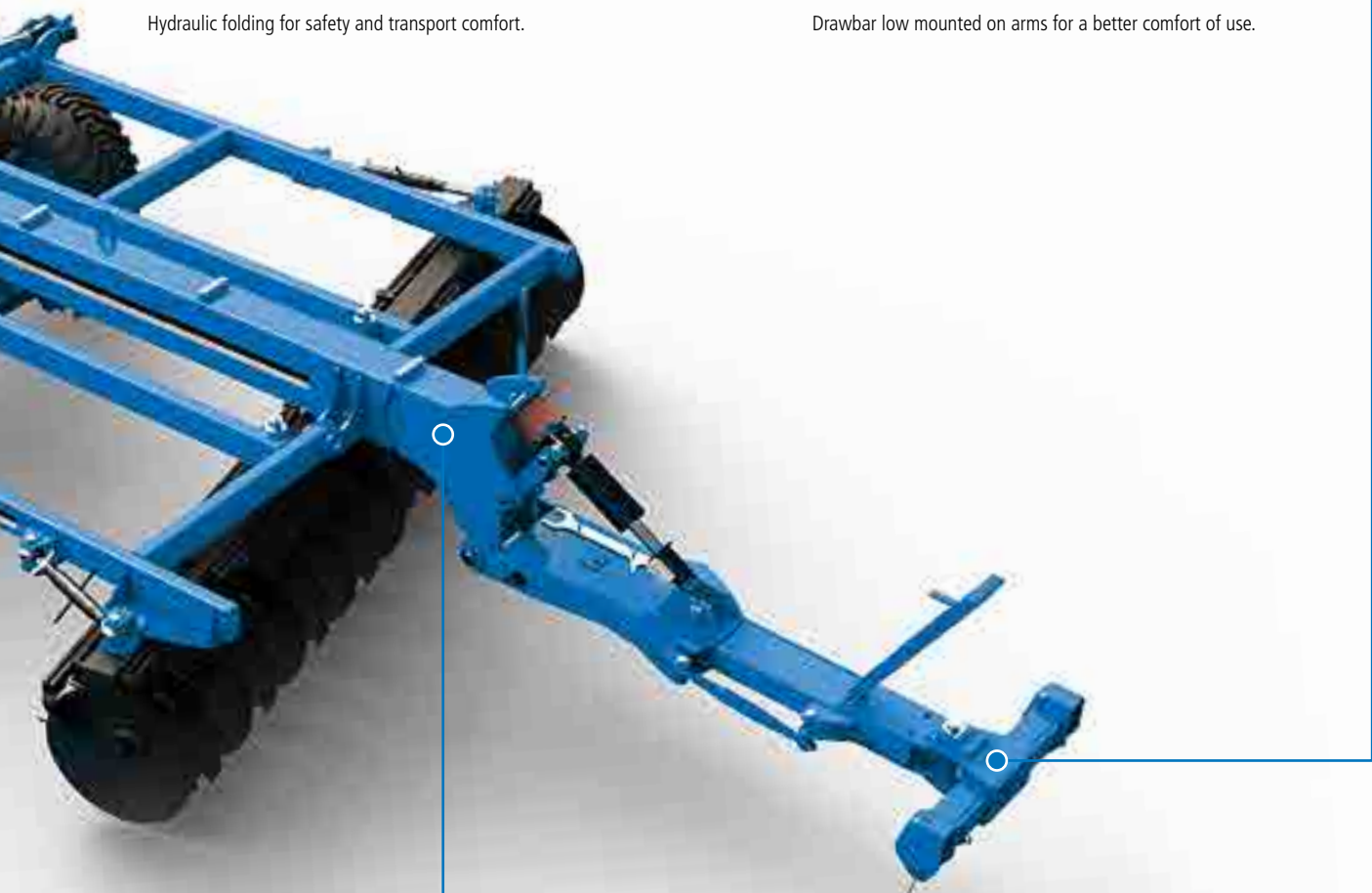
Axle between discs and roller for a good manoeuvrability on headlands and road.



Hydraulic folding for safety and transport comfort.



Drawbar low mounted on arms for a better comfort of use.



A single-beam chassis ensures great robustness.

DISC HARROW WITH DISCS IN V-ARRANGEMENT, HYDRAULIC VERTICAL FOLDING WITH REAR AXLE.

A compact tool.

The design of this machine with a carrying axle behind the disc trains allows to have a very compact design.



Standard equipment

- » Drawbar with hitch
- » Central frame: 300 × 200 × 10 mm
- » Disc: alternating mounting (straight and jagged) Ø 660 mm 6 mm thick
- » Transport width: 2,50 meters
- » Tyres: 400/60 r 15
- » Mechanical adjustment of the drawbar
- » Hydraulic suspension with elastomere damper
- » Hydraulic brakes



Technical characteristics	LANDBIRD VC			
	28	32	36	40
Number of discs	28	32	36	40
Diameter of disc/thickness (mm)	660/6			
Disc distance (mm)	230			
Working width (m)	3,20	3,55	4,00	4,45
Transport width (m)	under 2.50 m			
Weight (kg)	4.000	4.400	4.800	5.200
Required tractor power (hp)	90	100	115	135

Weight (without roller) and required horsepower are reference values and vary due to different soil conditions.

EASY TO MANAGE FOR TRACTORS FROM 100 HP.

Easy to use.

The design of this tool with a central axle makes it possible to have a compact and stable stubble cultivator at work.



Standard equipment

- » Drawbar with hitch
- » Central frame: 300 × 200 × 10 mm
- » Disc: alternating mounting (straight and jagged) Ø 660 mm 6 mm thick
- » Transport width: 2,50 meters
- » Tyres: 400/60 r 15
- » Mechanical adjustment of the drawbar
- » Hydraulic suspension with elastomere damper
- » Hydraulic brakes and parking brake



Drawbar low mounted on arms for a better comfort of use.

Technical characteristics	LANDBIRD VL		
	28	32	36
Number of discs	28	32	36
Diameter of disc/thickness (mm)	660/6		
Disc distance (mm)	230		
Working width (m)	3,20	3,60	4,00
Transport width (m)	under 2.50 m		
Weight (kg)	3.700	3.850	4.000
Required tractor power (hp)	100	130	180

Weight (without roller) and required horsepower are reference values and vary due to different soil conditions.

BLACKBIRD TL | BLACKBIRD TI GENERAL DESCRIPTION.

Stubble cultivators with central axle.

The design of a disc harrow with a central axle makes it possible to have a very compact tool that can be easily adjusted. The working depth can be adjusted by both: the roller and / or by the central axle.



Rear roller for better job finishing and depth adjustment.



Center axle with hydraulic brakes and depth adjusting.



A single-beam chassis ensures stability at work.



Hydraulic folding for comfortable transport.



Disc trains offset at the front and face to face at the rear for smooth work.



Drawbar low mounted on arms for a better comfort of use.

BLACKBIRD TL

FOR TRACTORS FROM 90 HP.

Ease of use.

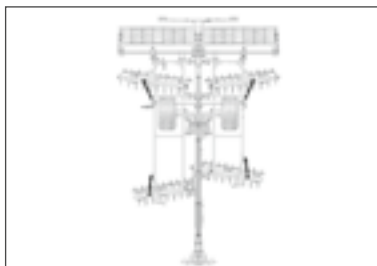
The BLACKBIRD TL range is perfect for small and medium-sized farms. The four rows of discs are arranged in X-shape.

Standard Equipment

- » Hitch Cat. II or III
- » Frame 200 × 200 × 10 mm
- » Vertical hydraulic folding 2.50 m transport width
- » Mechanical locking in transport position
- » Alternating discs (straight and jagged) 660 mm 6 mm thick
- » 2 wheels with pneumatic tyres 400 / 60-15
- » Hydraulic brakes and mechanical parking brake
- » Crumbler roller Ø 500 mm (25 mm square bars)
- » Mechanical roller adjustment



Equipped with a 200 × 200 × 10 single-beam frame, the BLACKBIRD TL has a high level of user comfort and easy access to the various adjustment points.



The angle adjustment of each disc set can be adjusted with turnbuckles.



The working depth is adjusted by both: the roller and / or by the central axle.

Technical characteristics	BLACKBIRD TL		
Number of discs	29	33	37
Diameter of disc/thickness (mm)	660/6		
Disc distance (mm)	195 – 230	195 – 230	195 – 230
Working width (m)	3,00 – 3,40	3,40 – 3,80	3,80 – 4,30
Transport width (m)	2,50		
Required tractor power (hp)	90	120	135
Weight (kg)	3.950 – 4.100	4.100 – 4.250	4.350 – 4.400

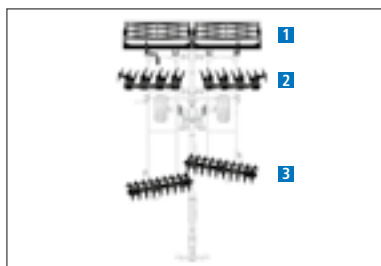
Weight (without roller) and required horsepower are reference values and vary due to different soil conditions.

The K-arrangement for great versatility.

The MK version is the second variant of the BLACKBIRD TL. Despite of the same disc rows in the front, this stubble cultivator has Roll'coup discs mounted in pairs on a single bearing in the back. The working angle is set precisely and is fixed. This guarantees an even work over the entire width.

Standard Equipment

- » Hitch Cat. II or III
- » Frame 200 × 200 × 10 mm
- » Vertical hydraulic folding 2.50 m transport width
- » Mechanical locking in transport position
- » Alternating discs (straight and jagged) 660 mm 6 mm thick in front
- » Jagged discs in 630 mm 7 mm thick in the back, mounted in pairs
- » 2 wheels with pneumatic tyres 400 / 60-15
- » Hydraulic brakes and mechanical parking brake
- » Crumbler roller Ø 500 mm (25 mm square bars)
- » Mechanical roller adjustment



- 1 Roller
- 2 Independent (double) discs
- 3 Offset disc rows



In the rear the BLACKBIRD TL MK is fitted with Roll'coup discs. They are mounted in pairs on a single bearing.

Technical characteristics	BLACKBIRD TL		
	27 – 31	33 – 35	37 – 39
Number of discs	27 – 31	33 – 35	37 – 39
Diameter of disc/thickness (mm)	660/6		
Disc distance (mm)	195 – 230	195 – 230	195 – 230
Working width (m)	3,00 – 3,55	3,55 – 4,00	4,00 – 4,55
Transport width (m)	2,50		
Weight (kg)	4.350 – 4.400	4.500 – 4.550	4.650 – 4.700
Required tractor power (hp)	90	120	135

Weight (without roller) and required horsepower are reference values and vary due to different soil conditions.

BLACKBIRD TI FOR TRACTORS FROM 90 HP.

Precise stubble cultivation.

Compact and handy, the BLACKBIRD TI is ideal for larger farms. This range has all the RABE tillage tools technology.

Standard Equipment

- » Drawbar cat. II or III
- » Central frame 300 × 300 × 10 mm
- » Compensating 'elbow' cylinder with elastomer shock absorber
- » Vertical hydraulic folding 2.50 m transport width
- » Hydraulic locking in transport position
- » Alternating discs (straight and jagged) 660 mm 6 mm thick
- » 2 tyres 385 / 65-22.5 truck profile
- » Hydraulic brakes and mechanical parking brake
- » Crumbler roller Ø 500 mm (25 mm square bars)
- » 2 double acting cylinders for adjustment of working depth

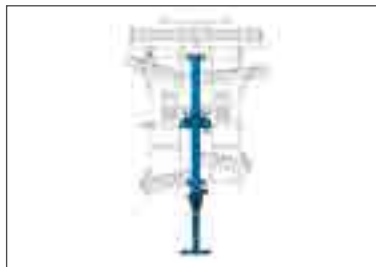


Coupled to the lower arms of the frame.



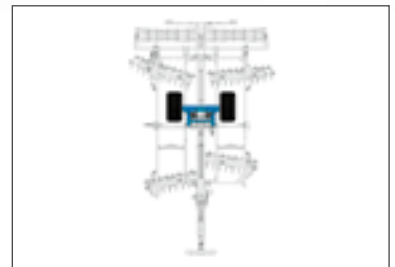
Hydraulic drawbar cylinder

- » for a simple depth controlling
- » allows adjusting even under difficult conditions
- » precise adjusting of working depth in combination with hydraulic cylinder for roller



The single-beam chassis 300 × 300 × 10 ensures a homogeneous distribution of the weight and gives the machine a high stability.

Fully manoeuvrable.



The axle between the front and rear disc rows offers a high stability to the BLACKBIRD, especially at work and during transport on the road.

Technical characteristics	BLACKBIRD TI				
	28	32	36	40	44
Number of discs	28	32	36	40	44
Diameter of disc/thickness (mm)	660/6				
Disc distance (mm)	195 – 230	195 – 230	195 – 230	195 – 230	195 – 230
Working width (m)	3,00 – 3,40	3,40 – 3,80	3,80 – 4,30	4,20 – 4,70	4,55 – 5,20
Transport width (m)	2,50				
Weight (kg)	5.100	5.400 – 5.450	5.550 – 5.600	5.700 – 5.750	5.850 – 5.900
Required tractor power (hp)	90	120	140	160	200

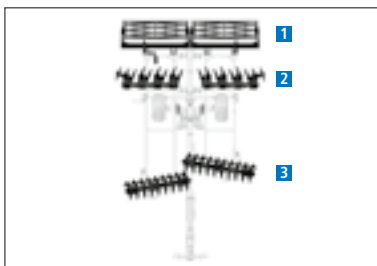
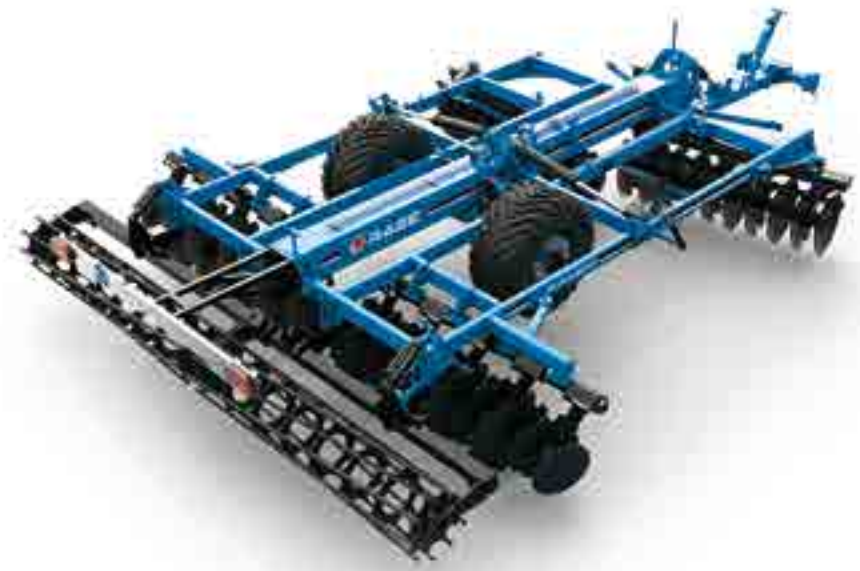
Weight (without roller) and required horsepower are reference values and vary due to different soil conditions.

The K system means great versatility.

The BLACKBIRD TI MK is the combination of a cover crop and an independent disc harrow. This combination makes it possible to combine the advantages of these two tools with the penetrating power of the cover crop and the finishing result of independent discs.

Standard Equipment

- » Drawbar cat. II or III
- » Central frame 300 × 300 × 10 mm
- » Compensating 'elbow' cylinder with elastomer shock absorber
- » Vertical hydraulic folding 2.50 m transport width
- » Hydraulic locking in transport position
- » Alternating discs (straight and jagged) 660 mm 6 mm thick in front
- » Jagged discs in 630 mm 7 mm thick in the back, mounted in pairs
- » 2 tyres 385 / 65-22.5 truck profile
- » Hydraulic brakes and mechanical parking brake
- » Crumbler roller Ø 500 mm (25 mm square bars)
- » 2 double acting cylinders for adjustment of working depth



1 Roller

2 Independent (double) discs

3 Offset disc rows

After the discs pass the crumbler roller optimizes leveling and finishing work.



In the rear the BLACKBIRD TI MK is fitted with Roll' Coup discs. They are mounted in pairs on a single bearing.

Technical characteristics	BLACKBIRD TI				
	22	26 – 30	32 – 34	36 – 38	40 – 42
Number of discs	22	26 – 30	32 – 34	36 – 38	40 – 42
Diameter of disc/thickness (mm)	660/6				
Disc distance (mm)	230	195 – 230	195 – 230	195 – 230	195 – 230
Working width (m)	3,00	3,00 – 3,55	3,55 – 4,00	4,00 – 4,55	4,55 – 5,00
Transport width (m)	2,50				
Weight (kg)	5.600	5.700 – 5.750	5.850 – 5.900	6.000 – 6.050	6.150 – 6.200
Required tractor power (hp)	90	120	140	160	200

Weight (without roller) and required horsepower are reference values and vary due to different soil conditions.

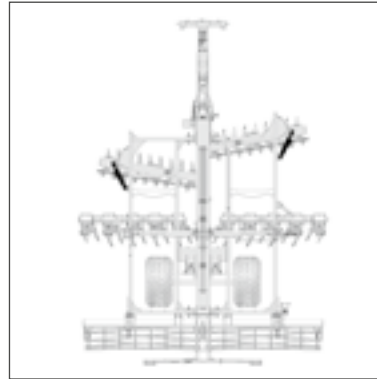
BLACKBIRD TL | BLACKBIRD TI PARTS AND ACCESSORIES.

The versatility of RABE stubble cultivators makes it possible to propose a wide range of tools and accessories to meet the farmers expectations.

Disc rows that are adapted to any test.



The bearings of the disc rows are made of cast iron GS. They consist of a set of two tapered roller bearings. The total impermeability to any impurities is ensured by two double-lip seals. This assembly guarantees a lifetime of the disc rows.



The angle can be adjusted by an optional hydraulic cylinder.



The models in the range are equipped with Roll'Coup discs.



An adaptable seed drill is available for intercorns.



It is also possible to equip the RABE cultivators with smooth straight discs.



In addition to the projection disc an optional deflector is available on the front disc row.

Rear accessories to refinish the work.

The choice of the roller is a decisive aspect when purchasing the disc harrow. It is the roller which makes the finish and which gives the final result of the work as well on agronomic and on aesthetic aspects. RABE offers the most complete range of rollers on the market to suit your soil types and your finishing needs.



The crumbler roller bar is available in Ø 600 mm.

Optional equipment

Machine	BLACKBIRD TL	BLACKBIRD TI
Coupling	<ul style="list-style-type: none"> » Socket ring Ø 45 mm » Ball joint Ø 45 mm » Ball coupling Ø 80 mm 	<ul style="list-style-type: none"> » Socket ring Ø 45 mm » Ball joint Ø 45 mm » Ball coupling Ø 80 mm
Chassis	<ul style="list-style-type: none"> » Hydraulic folding transport width 2,50 m with 4 cylinders » Electric valve switch with 2 or 3 functions 	–
Disc arrangement	<ul style="list-style-type: none"> » Hydraulic adjustment of the disc rows angle » Mounting of jagged discs only » Mounting of discs Ø 660 mm 7 mm, Ø 710 mm 7 mm » Mounting of flat-profile Roll'Coup discs Ø 680 mm, 7 mm » Bearing protection » Hectare counter » Front row deflectors plate » Following harrow behind first disc row 	<ul style="list-style-type: none"> » Hydraulic adjustment of the disc rows angle » Mounting of jagged discs only » Mounting of discs Ø 660 mm 7 mm, Ø 710 mm 7 mm » Mounting of flat-profile Roll'Coup discs Ø 680 mm, 7 mm » Bearing protection » Hectare counter » Front row deflectors plate » Following harrow behind first disc row
Wheels	<ul style="list-style-type: none"> » Tyres: 445 / 45-17 - 500 / 45-22,5 - 550 / 45-22,5 or 600 / 50-22,5 	<ul style="list-style-type: none"> » Tyres: 500/45 – 22,5 ou 550/45 – 22,5
Roller	<ul style="list-style-type: none"> » Crumbler roller Ø 600 mm » Following triple harrow Ø 16 mm » Hydraulic roller adjustment 	<ul style="list-style-type: none"> » Crumbler roller Ø 600 mm » Following triple harrow Ø 16 mm » Hydraulic roller adjustment

Weight (without roller) and required horsepower are reference values and vary due to different soil conditions.



BLACKBIRD TT | JP | AD | ET

GENERAL DESCRIPTION.

Disc harrow with rear axle.

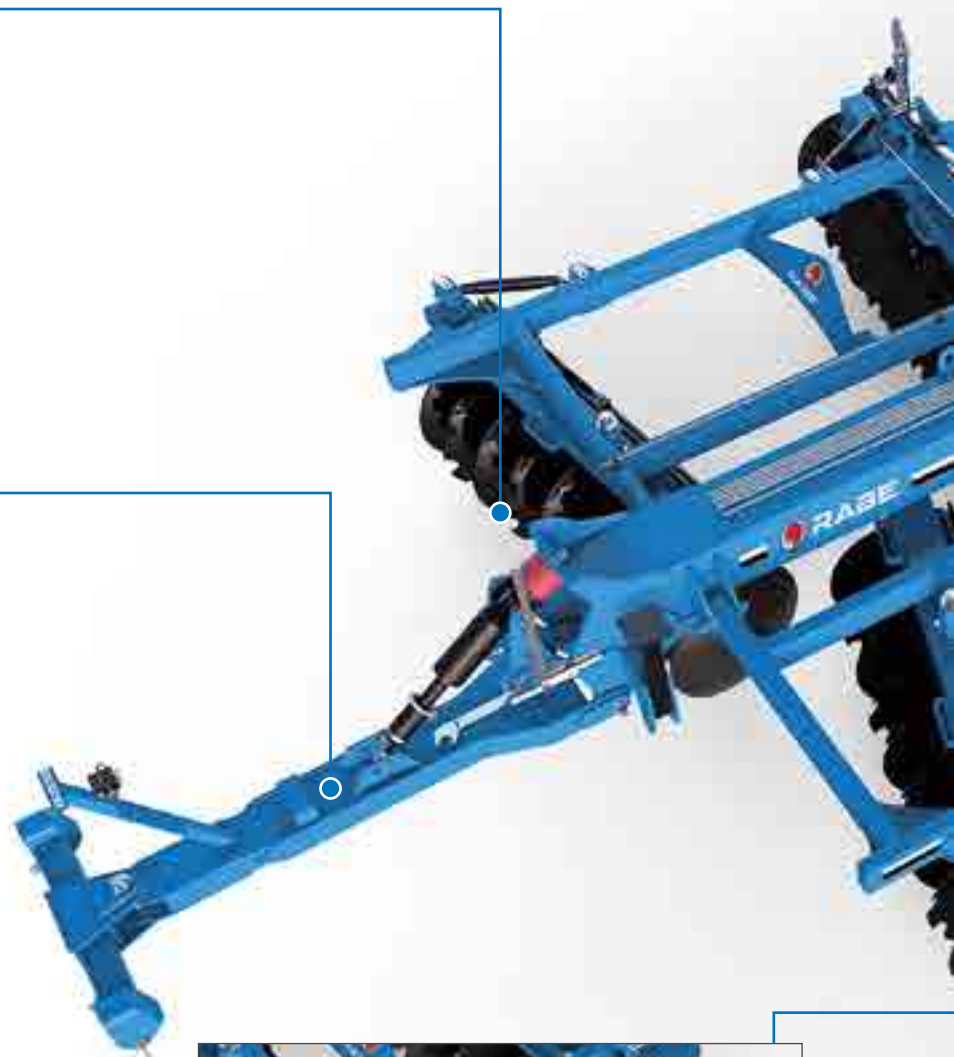
The design of a BLACKBIRD disc harrow with an intermediate axle allows to have a more compact tool and thus a good manoeuvrability at work.



Disc trains offset at the front and face to face at the rear for a smooth working result.



Drawbar low mounted on arms for a better comfort of use.



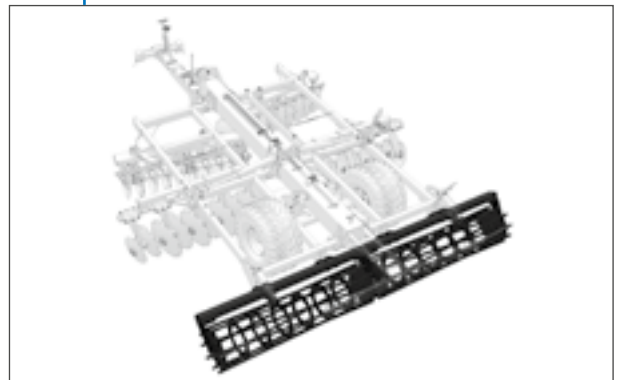
Simple adjustment of the angle of disc rows trains by turnbuckles.



Hydraulic folding for transport.



Rear axle with different tyre options.



A rear roller to control the depth and for a better work finish.

THE HEART OF THE RANGE FOR TRACTORS FROM 90 HP.

An approved design.

Compact and handy, the BLACKBIRD TT has a good chassis / weight ratio. It is an ideal tool for small and medium farms. The BLACKBIRD TT has a precise control of the depth realized at 100% by its integrated roller. The latter recreates and refines the mulching performed by the discs. This optimizes straw decomposition and weed emergence.

Standard equipment

- » Cat. II or III
- » Single-frame chassis 300 × 300 × 10 mm
- » Drawbar cylinder with elastomeric shock absorber
- » Vertical hydraulic folding 2.50 m transport width
- » Hydraulic locking in transport position
- » Alternate jagged and straight discs Ø 660 mm 6 mm thick
- » 2 tyres 385/65 - 22,5
- » Hydraulic brakes and mechanical parking brake
- » Crumbler roller Ø 500 mm (25 mm square bars)
- » 2 double acting cylinders for adjustment of the working depth (for heavy rollers: 4)



Hydraulic compensation ensures optimum load transfer and high precision in working depth. Thanks to all these advantages, the BLACKBIRD achieves a high quality stubble cultivation.



It's single-beam chassis ensures a homogeneous distribution of the weight, which gives the machine great stability at work.



The axle between the disc trains and the rear roller provides great manoeuvrability when turning on the headlands and ensures a perfect stability for transport.

Technical characteristics	BLACKBIRD TT				
	28	32	36	40	44
Number of discs	28	32	36	40	44
Diameter of disc/thickness (mm)	660/6				
Disc distance (mm)	230	195 – 230	195 – 230	195 – 230	195 – 230
Working width (m)	3,40	3,40 – 3,80	3,80 – 4,30	4,20 – 4,70	4,55 – 5,20
Transport width (m)	2,50				
Weight (kg)	4.800	4.900 – 4.950	5.050 – 5.100	5.200 – 5.250	5.350 – 5.400
Required tractor power (hp)	90	120	150	180	200

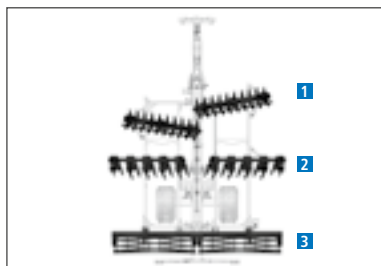
Weight (without roller) and required horsepower are reference values and vary due to different soil conditions.

Versatility for efficient work.

The BLACKBIRD TT MK is the combination of a cover crop and an independent disc harrow. This combination makes it possible to combine the advantages of these two tools with the penetrating power of the cover crop and the finishing result of independent discs.

Standard equipment

- » Cat. II or III
- » Single-beam chassis 300 × 300 × 10 mm
- » Compensating 'elbow' cylinder with elastomer shock absorber
- » Vertical hydraulic folding 2.50 m
- » Hydraulic locking for transport position
- » Front discs Ø 660 mm x 6 mm, rear discs Roll'Coup 630 × 7 mm
- » 2 wheels with pneumatic tyres 385/65 - 22.5
- » Hydraulic brakes and mechanical parking brake
- » Rear roller type square cage 25 mm Ø 500 mm
- » 2 double acting cylinders for adjustment of the working depth 4 if heavy roller



- 1 Offset disc rows
- 2 Independent (double) discs
- 3 Roller



The BLACKBIRD range is fitted in the rear with Roll'Coup discs mounted in pairs on a single bearing with a double conical bearing completely sealed.

Technical characteristics	BLACKBIRD TT MK				
	28	26 – 30	32 – 34	36 – 38	40 – 42
Number of discs	28	26 – 30	32 – 34	36 – 38	40 – 42
Diameter of disc/thickness (mm)	AV : 660/6, AR : 630/7				
Disc distance (mm)	230	195 – 230	195 – 230	195 – 230	195 – 230
Working width (m)	3,40	3,40 – 3,80	3,80 – 4,30	4,20 – 4,70	4,55 – 5,20
Transport width (m)	2,50				
Weight (kg)	5.350	5.400 – 5.500	5.550 – 5.650	5.700 – 5.800	5.850 – 5.950
Required tractor power (hp)	90	120	150	180	200

Weight (without roller) and required horsepower are reference values and vary due to different soil conditions.

CHOOSE VERSATILITY – FOR TRACTORS FROM 160 HP.

An advanced chassis.

Perfect for medium and large farms. The BLACKBIRD JP design with its single-beam frame of dimensions 300 × 300 × 10 ensures great robustness and ease in use. The design allows easy access to all control points of the machine.

Standard equipment

- » Cat. II or III
- » Single-beam chassis 300 × 300 × 10 mm
- » Compensating 'elbow' cylinder with elastomer shock absorber
- » Vertical hydraulic folding 2.76 m
- » Hydraulic locking for transport position
- » Front discs Ø 660 mm x 6 mm, rear discs Roll' Coup 630 × 7 mm
- » 2 wheels with pneumatic tyres 385/65 - 22.5
- » Hydraulic brakes and mechanical parking brake
- » Rear roller type square cage 25 mm Ø 600 mm
- » 1 double acting cylinder for adjustment of the working depth



The range has been designed with offset disc rows at the front and face-to-face at the rear. The advantage of this assembly is that the disc rows are optimally covered and the machine is more stable and compact at work.

The depth is controlled by the roller. It is connected to the main frame by a simple swivel joint.

The angle setting of each disc row can easily be done by turnbuckles.

Technical characteristics	BLACKBIRD JP			
	40	44	48	52
Number of discs	40	44	48	52
Diameter of disc/thickness (mm)	660/6			
Disc distance (mm)	195 – 230	195 – 230	195 – 230	195 – 230
Working width (m)	4,20 – 4,70	4,55 – 5,20	5,00 – 5,60	5,30 – 6,00
Transport width (m)	2,76 à 3,10			
Weight (kg)	7.050 – 7.150	7.200 – 7.300	7.800	7.800
Required tractor power (hp)	160	180	200	220

Weight (without roller) and required horsepower are reference values and vary due to different soil conditions.

The right conjunction.

This range of stubble cultivators is BLACKBIRD JP with disc rows in K-arrangement. This combines the advantages of the penetrating power of fixed rows in the front and the finishing result of independent discs in the rear.

Standard Equipment

- » Drawbar cat. II or III
- » Central frame 300 × 300 × 10 mm
- » Compensating 'elbow' cylinder with elastomer shock absorber
- » Vertical hydraulic folding 2.76 m transport width
- » Hydraulic locking in transport position
- » Alternating discs (straight and jagged) 660 mm 6 mm thick in front
- » Jagged discs in 630 mm 7 mm thick in the back, mounted in pairs
- » 2 tyres 385 / 65-22.5 truck profile
- » Hydraulic brakes and mechanical parking brake
- » Crumbler roller Ø 500 mm (25 mm square bars)
- » 1 double acting cylinders for adjustment of working depth



The BLACKBIRD JP MK is equipped with Roll'Coups discs Ø 630 mm mounted in pairs on a single disc arm. Their attack angles allow a consistent working over the entire working width. The Roll'Choc elastomer suspension system which is simple and maintenance-free absorbs impacts and helps to follow the terrain's contour.

Technical characteristics	BLACKBIRD JP MK			
	36 – 38	40 – 42	46	50
Number of discs	36 – 38	40 – 42	46	50
Diameter of disc/thickness (mm)	AV : 660/6, AR : 630/7			
Disc distance (mm)	195 – 230	195 – 230	195 – 230	195 – 230
Working width (m)	4,20 – 4,70	4,55 – 5,20	5,00 – 5,60	5,30 – 6,00
Transport width (m)	2,76 à 3,10			
Weight (kg)	7.350 – 7.450	7.800	7.800	7.800 – 7.950
Required tractor power (hp)	160	180	200	220

Weight (without roller) and required horsepower are reference values and vary due to different soil conditions.

THE FLAGSHIP OF THE RANGE FOR TRACTORS FROM 160 HP.

The strong series.

The central chassis of the BLACKBIRD AD consists of a large-sized frame to absorb the high tensile forces. The side frames ensure precise fixing over the entire width of the machine.

Standard equipment

- » Cat. II or III
- » Twin frame 2x 200 x 100 x 10 mm
- » Compensating 'elbow' cylinder with elastomer shock absorber
- » Vertical hydraulic folding 3.0 m
- » Hydraulic locking for transport position
- » Front discs jagged Ø 660 mm x 6 mm, rear discs straight or alternated
- » Reinforced tyres truck profile 385/65 - 22.5
- » Hydraulic brakes and mechanical parking brake
- » Crumbler roller Ø 600 mm (25 mm square bars)
- » 2 double acting cylinder for adjustment of the working depth



Folding the machines ensures a transport width less than 3.0 m.



The roller

The working depth is controlled by a roller with an adjustable hydraulic lift from the cab. The ideal positioning of the roller together with the hydraulic depth adjusting guarantee a good stability and allow the machine to follow properly any ground contours. It is possible to lift the roller during work.

Technical characteristics	BLACKBIRD AD								
	40	44	48	52	56	60	64	68	72
Number of discs	40	44	48	52	56	60	64	68	72
Diameter of disc/thickness (mm)	660/6								
Disc distance (mm)	195 – 200							195	195
Working width (m)	4,20 – 4,70	4,55 – 5,20	4,90 – 5,60	5,30 – 6,00	5,70 – 6,50	6,00 – 6,90	6,50 – 7,40	6,90	7,30
Transport width (m)	3,03 à 3,50								
Weight (kg)	7.160	7.200	7.500 – 7.550	7.650 – 7.750	7.800 – 7.900	7.950 – 8.050	8.100 – 8.200	8.350	8.500
Required tractor power (hp)	160	170	180	190	210	230	250	270	300

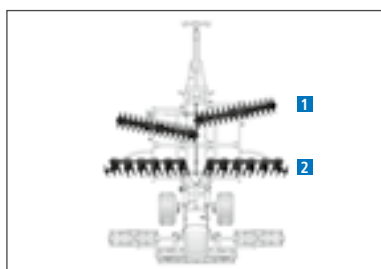
Weight (without roller) and required horsepower are reference values and vary due to different soil conditions.

Better mixing.

The BLACKBIRD AD MK was designed with offset disc rows in the front and independent discs in the rear. This arrangement combines the best of both fixtures: penetration and aggression in the front with finishing and leveling in the rear.

Standard Equipment

- » Drawbar cat. II or III
- » Twin frame 2x 200 × 100 × 10 mm
- » Compensating 'elbow' cylinder with elastomer shock absorber
- » Vertical hydraulic folding 3.0 m transport width
- » Hydraulic locking in transport position
- » Alternating discs (straight and jagged) 660 mm 6 mm thick in front
- » Roll'Coup discs in 630 mm 7 mm thick in the back, mounted in pairs
- » 2 Tyres 385 / 65-22.5 truck profile
- » Hydraulic brakes and mechanical parking brake
- » Crumbler roller Ø 500 mm (25 mm square bars)
- » 2 double acting cylinders for adjustment of working depth



- 1 Two rows offset mounted disc rows
- 2 Independent discs Ø 630 mm thick. 7 mm Roll'Coup



The BLACKBIRD is equipped at the rear with Roll'Coup discs mounted in pairs on a single disc arm. Their attack angles allow a consistent working over the entire working width. The Roll'Choc elastomer suspension system which is simple and maintenance-free absorbs impacts and helps to follow the terrain's contour.

Technical characteristics	BLACKBIRD AD MK								
	Number of discs	36 – 38	40 – 42	46	50	54	60 – 58	64 – 62	68
Diameter of disc/thickness (mm)	AV : 660/6, AR : 630/7								
Disc distance (mm)	195 – 200							195	195
Working width (m)	4,20 – 4,70	4,55 – 5,20	4,90 – 5,60	5,30 – 6,00	5,70 – 6,50	6,00 – 6,90	6,50 – 7,40	6,90	7,30
Transport width (m)	3,03 à 3,50								
Weight (kg)	7.500	7.600	7.700 – 7.800	7.850 – 7.950	8.000 – 8.100	8.150 – 8.350	8.300 – 8.500	8.450	8.600
Required tractor power (hp)	160	170	180	190	210	230	250	270	300

Weight (without roller) and required horsepower are reference values and vary due to different soil conditions.

THE TECHNICAL COMPETENZ FOR TRACTORS FROM 200 HP.

A sturdy frame.

The BLACKBIRD ET has a new welded frame made of tubes 200 × 100 × 10. It ensures a high rigidity of the machine. The side frames hold the disc rows over the entire width of the tool. All working elements are visible from the tractor cabin.

Standard Equipment

- » Drawbar cat. II or III
- » Frames in 200 × 100 × 10 mm
- » Compensating 'elbow' cylinder with elastomer shock absorber
- » Vertical hydraulic folding 3.0 m transport width
- » Hydraulic locking in transport position
- » Front discs jagged Ø 660 mm x 6 mm, rear discs straight or alternated
- » Low pressure wheels 400/60 - 15.5
- » Hydraulic brakes and mechanical parking brake
- » Tyre roller integrated with the transport wheels
- » Hydraulic adjustment of pneumatic roller feature



Like other cultivators of this range, the disc rows can be shifted in the front and face-to-face at the rear. This ensures perfect overlapping.

A good penetrating power

The BLACKBIRD ET is equipped with a tyre packer integrated into the transport wheels. This allows for a heavy tool with good penetrating power. The tyre packer consists of low pressure wheels dimension 400/60 - 15.5. with chevron profile. They will roll even in extreme conditions.

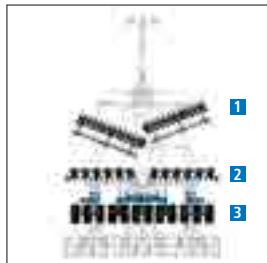
Technical characteristics	BLACKBIRD ET				
Number of discs	41	49 – 53	61	61	69
Diameter of disc/thickness (mm)	660/6				
Disc distance (mm)	230	195 – 230	195	230	195
Working width (m)	4,70	4,90 – 6,00	6,00	6,90	6,90
Transport width (m)	3,00				
Weight (kg)	8.000	8.500	9.000	10.000	10.500
Required tractor power (hp)	200	230	260	280	300

Weight (without roller) and required horsepower are reference values and vary due to different soil conditions.

The BLACKBIRD ET MK is an alternative version and has the same features as the X-version. The difference is in mounting the disc rows offset at the front (type X) and rows of independent discs at the rear.

Standard Equipment

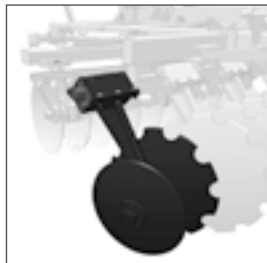
- » Drawbar cat. II or III
- » Frames in 200 × 100 × 10 mm
- » Compensating 'elbow' cylinder with elastomer shock absorber
- » Vertical hydraulic folding 3.0 m transport width
- » Hydraulic locking in transport position
- » Front discs jagged Ø 660 mm x 6 mm, rear discs straight or alternated
- » Roll'Coup discs in 630 mm 7 mm thick in the back, mounted in pairs
- » Low pressure wheels 400/60 - 15.5
- » Hydraulic brakes and mechanical parking brake
- » Tyre roller integrated with the transport wheels
- » Hydraulic adjustment of pneumatic roller feature



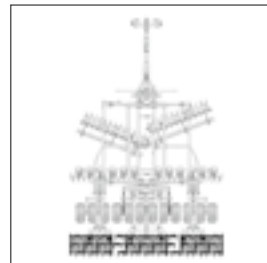
- 1 Offset disc rows
 2 Rows of independent discs Ø 630 mm thick. Roll'Coup 7 mm
 3 Pneumatic tyre packer



At the rear the Blackbird ET is equipped with Roll'Coup discs mounted in pairs on a single disc-arm. Their angle of attack are accurate and fixed.



The Roll'Choc elastomer suspension system is simple and maintenance-free. It helps to absorb the blows and bumps of the terrain.



A following harrow behind the tyre packer allows for a better definition.

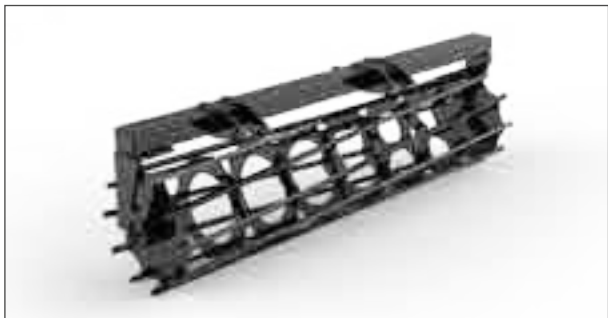
Technical characteristics	BLACKBIRD ET MK				
Number of discs	43	47 – 51	61	59	69
Diameter of disc/thickness (mm)	AV : 660/6, AR : 630/7				
Disc distance (mm)	230	195 – 230	195	230	195
Working width (m)	5,00	5,00 – 6,00	6,00	7,00	7,00
Transport width (m)	3,00				
Weight (kg)	8.000	8.500	9.000	10.000	10.500
Required tractor power (hp)	200	230	260	280	300

Weight (without roller) and required horsepower are reference values and vary due to different soil conditions.

BLACKBIRD TT | JP | AD | ET PARTS AND ACCESSORIES.

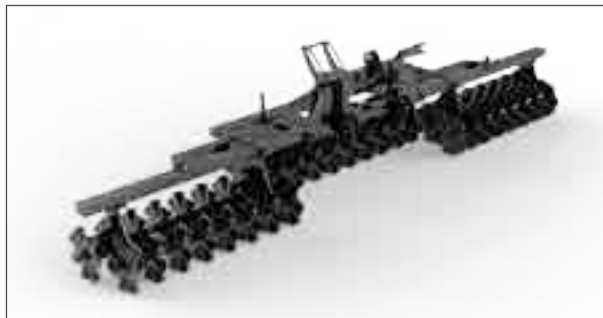
Rear accessories to refinish the work.

The choice of the roller is a decisive aspect when purchasing the disc harrow. It is the roller which makes the finish and which gives the final result of the work as well on agronomic and on aesthetic aspects. RABE offers the most complete range of rollers on the market to suit your soil types and your finishing needs.



Square bar crumbler roller Ø 500 mm

- » Attacks crop residues and surface clods
- » It facilitates soil / seed contact and germination during false seeding
- » Versatile, lightweight and economical
- » Suitable for different soil types



The TWIN double roller

- » Ideal for crushing plant remnants and clods
- » Mounted on a robust 40 mm square shaft
- » Disc distance of 130 mm provides enough space to avoid collecting the soil



Kompressor roller Ø 650 mm (furrower)

- » Used to break the hardest clods and re-press them into the ground
- » It creates soil / seed contact and promotes the germination of false seedlings
- » Line seeding finish
- » Allows a quality recovery in clay soil and dry conditions



Diamond roller Ø 500 mm

- » Reconsolidating and leveling
- » Used to break the clods and incorporate them on the ground
- » Facilitates soil / seed contact and germination during false seeding, in-line seeding
- » Allows to postpone the use of the machine at the end of the season



U-Roller Ø 500 mm

- » U-rings in Ø 500 mm (60 × 6 U-profile)
- » U-profile allows to break clods in dry soil
- » Cuts root bales and incorporates plant residues into the soil
- » Suitable for stony conditions

Equipements optionnels

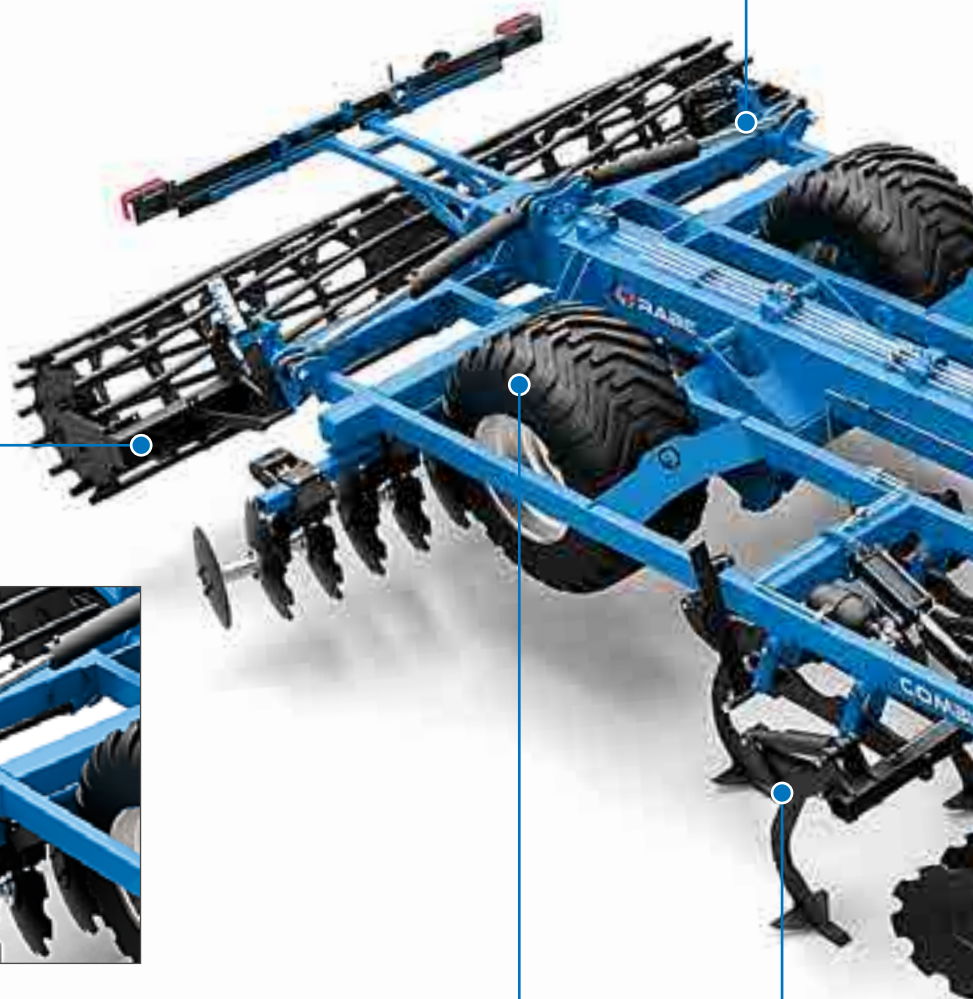
Machine	BLACKBIRD TT	BLACKBIRD JP	BLACKBIRD AD	BLACKBIRD ET
Coupling	<ul style="list-style-type: none"> » Socket ring ø 45 mm » Ball joint ø 45 mm » Ball coupling ø 80 mm 	<ul style="list-style-type: none"> » Socket ring ø 45 mm » Ball joint ø 45 mm » Ball coupling ø 80 mm 	<ul style="list-style-type: none"> » Socket ring ø 45 mm » Ball joint ø 45 mm » Ball coupling ø 80 mm 	<ul style="list-style-type: none"> » Socket ring ø 45 mm » Ball joint ø 45 mm » Ball coupling ø 80 mm
Chassis	<ul style="list-style-type: none"> » Hydraulic folding with 4 cylinders instead of 2 » Kit valves with 2 or 3 functions 	<ul style="list-style-type: none"> » Hydraulic folding with 4 cylinders instead of 2 » Kit valves with 2 or 3 functions 	<ul style="list-style-type: none"> » Hydraulic folding with 4 cylinders instead of 2 » Kit valves with 2 or 3 functions 	<ul style="list-style-type: none"> » –
Disc arrangement	<ul style="list-style-type: none"> » Hydraulic adjustment of the disc row angles » Installation of jagged discs only » Mounting discs ø 660 mm thick. 7 mm or ø 710 mm thick. » Disc installation roll'coup ø 680 mm, thickness 7 mm » Bearing protection » Hectare counter » Deflectors on front disc » Following harrow after first row of discs 	<ul style="list-style-type: none"> » Hydraulic adjustment of the disc row angles » Installation of jagged discs only » Mounting discs ø 660 mm thick. 7 mm or ø 710 mm thick. » Disc installation roll'coup ø 680 mm, thickness 7 mm » Bearing protection » Hectare counter » Deflectors on front disc » Following harrow after first row of discs 	<ul style="list-style-type: none"> » Hydraulic adjustment of the disc row angles » Installation of jagged discs only » Mounting discs ø 660 mm thick. 7 mm or ø 710 mm thick. » Disc installation roll'coup ø 680 mm, thickness 7 mm » Bearing protection » Hectare counter » Deflectors on front disc » Following harrow after first row of discs 	<ul style="list-style-type: none"> » Hydraulic adjustment of the disc row angles » Installation of jagged discs only » Mounting discs ø 660 mm thick. 7 mm or ø 710 mm thick. » Disc installation roll'coup ø 680 mm, thickness 7 mm » Bearing protection » Hectare counter » Deflectors on front disc » Following harrow after first row of discs
Wheels	<ul style="list-style-type: none"> » Tyres: 500/45 – 22,5 ou 550/45 – 22,5 	<ul style="list-style-type: none"> » Tyres: 500/45 – 22,5 ou 550/45 – 22,5 ou 600/50 – 22,5 » Square axis 100 mm 	<ul style="list-style-type: none"> » Tyres: 500/45 – 22,5 ou 550/45 – 22,5 ou 600/50 – 22,5 » Square axis 100 mm 	<ul style="list-style-type: none"> » –
Roller	<ul style="list-style-type: none"> » Diamond roller ø 540 or 650 mm » Square bar roller ø 600 mm » Hydraulic roller adjustment » Compressor roller ø 640 mm 	<ul style="list-style-type: none"> » Diamond roller ø 640 mm » U roller single » Roll bars tubes ø 900 mm (3,10 m transport) » Diamond roller ø 540 or 650 mm 	<ul style="list-style-type: none"> » Compressor roller ø 640 mm » Twin double roller » Diamond roller ø 540 or 650 mm » U roller single or double row » Roll bars tubes ø 900 mm (3,10 m transport) 	<ul style="list-style-type: none"> » Comb harrow 3 rows

Weight (without roller) and required horsepower are reference values and vary due to different soil conditions.



GENERAL DESCRIPTION.

Easy to use, this tool has all RABE technologies to optimize working in all conditions.



Roller in the rear for a better finish and adjusting the working depth.



Central axle carrier - can also be used to adjust the depth.



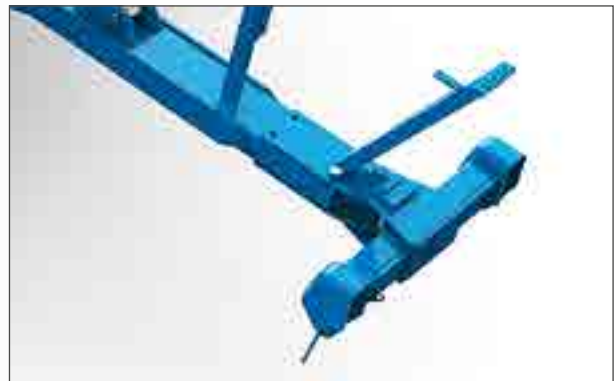
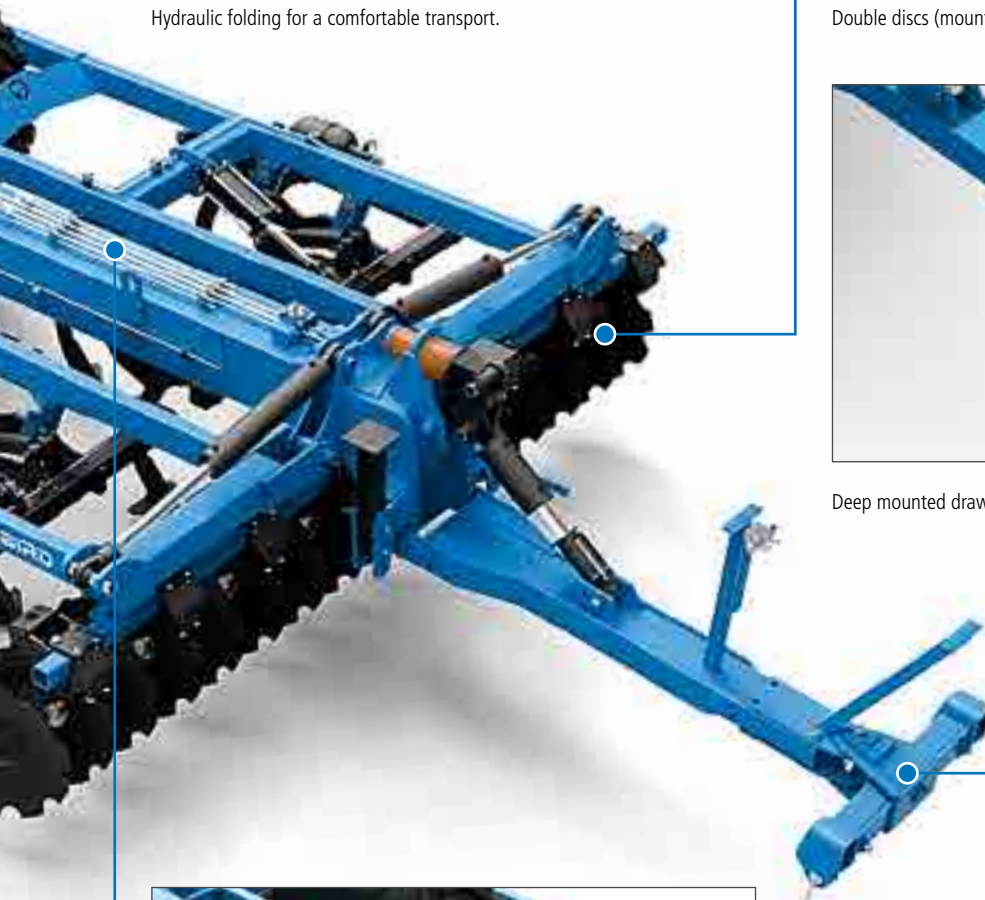
A hydraulic parallelogram adjusts all tines in depth.



Hydraulic folding for a comfortable transport.



Double discs (mounted on a single discarm) for a precise stubble cultivation.



Deep mounted drawbar for a more convenient use.



A mono-beam frame ensures stability at work.

COMBIBIRD CB MX

SOIL PREPARATION CONCEPT: -ONE PASS FINISHER-

For over 20 years, RABE is a specialist manufacturer of tools combining discs, tines and rollers.

The COMBIBIRD with combined tines, discs and roller ensures a maximum efficiency in a single pass and under all conditions.



Comfort and ergonomics

- » 3.00 m transport
- » Retractable roller
- » More compact transport
- » Less stress on the lift arm
- » Hydraulic depth adjustment work by the roller from the cabin
- » Ruler for depth indication



Discs of large diameter, 575 mm standard.

- » Penetration Capacity
- » Working depth control
- » Reduced jams
- » Optimum soil-straw mix



Rollers

- » Many profiles of rollers available (Emopak F 740 V profile, bars Ø 600)
- » Of the machine working depth control:
- » Stability
- » Load transfer
- » Regularity of the working depth



Tines

- » Angled blades on the tines
- » Independent height adjustment for each tooth
- » Straight tines
- » Two types of security: · safety by shear axis · Hydraulic non-stop security
- » Promotes drainage and root penetration

THE RIGHT COMBINATION FOR TRACTORS FROM 300 HP.

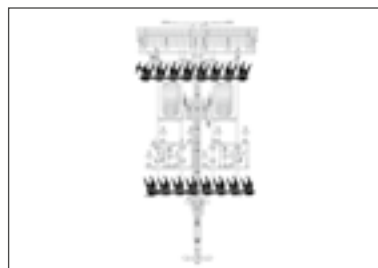
The COMBIBIRD is an ideal tool for both tillage in surface but also for work in depth restructuring.

Standard equipment

- » Cat II or III
- » Single beam chassis 300 × 300 × 10 mm
- » Compensating 'elbow' cylinder with elastomer shock absorber
- » Hydraulic locking in transport position
- » Roll'Coup discs Ø 630 mm thick. 7 mm
- » 2 wheels with reinforced tyres 385/65 - 22.5
- » Hydraulic brakes and mechanical parking brake
- » Crumbler roller Ø 500 mm (square bars 25 mm)
- » Mechanical depth adjusting of roller
- » Hydraulic depth adjustment of tines



The hydraulic balancing cylinder on the drawbar ensures optimum load transfer and improves the traction of the tractor at work.



The COMBIBIRD CB is equipped with independent double discs in front and rear which provides for a quality stubble cultivation.

Technical characteristics	COMBIBIRD		
Number of discs	32	40	48
Diameter of disc/thickness (mm)	630/7		
Number of tines	8	10	12
Disc distance (mm)	230		
Working width (m)	4,00	5,00	6,00
Transport width (m)	2,55		
Weight (kg)	5.300	6.000	6.750
Required tractor power (hp)	300	380	450

Weight (without roller) and required horsepower are reference values and vary due to different soil conditions.

PARTS AND ACCESSORIES.

Easy to use.

For a simple depth control the tines are mounted on a parallelogram. This allows easy adjustment during work.



With a hydraulic cylinder, the user can adjust the working depth by having an amplitude of about 20 cm.



The central axle allows a compact and handy tool to work. The adjustment can be done through the axle and / or roller.

Optional equipment

Machine	COMBIBIRD
Coupling	<ul style="list-style-type: none"> » Socket ring Ø 45 mm » Ball joint Ø 45 mm » Ball coupling Ø 80 mm
Disc arrangement	<ul style="list-style-type: none"> » Hectare counter
Wheels	<ul style="list-style-type: none"> » Tyres: 500/45 - 22.5 or 550/45 - 600/50 22.5 - 22.5
Roller	<ul style="list-style-type: none"> » Hydraulic depth adjusting of the roller » Crumbler roller Ø 600 mm square bars » Diamond roller Ø 650 mm » Compressor roller Ø 600 mm » U-roller single or twin -Ø 510 mm



BLUEBIRD CL

MOUNTED CULTIVATOR – RIGID OR FOLDING.

The new generation of chisel cultivators.

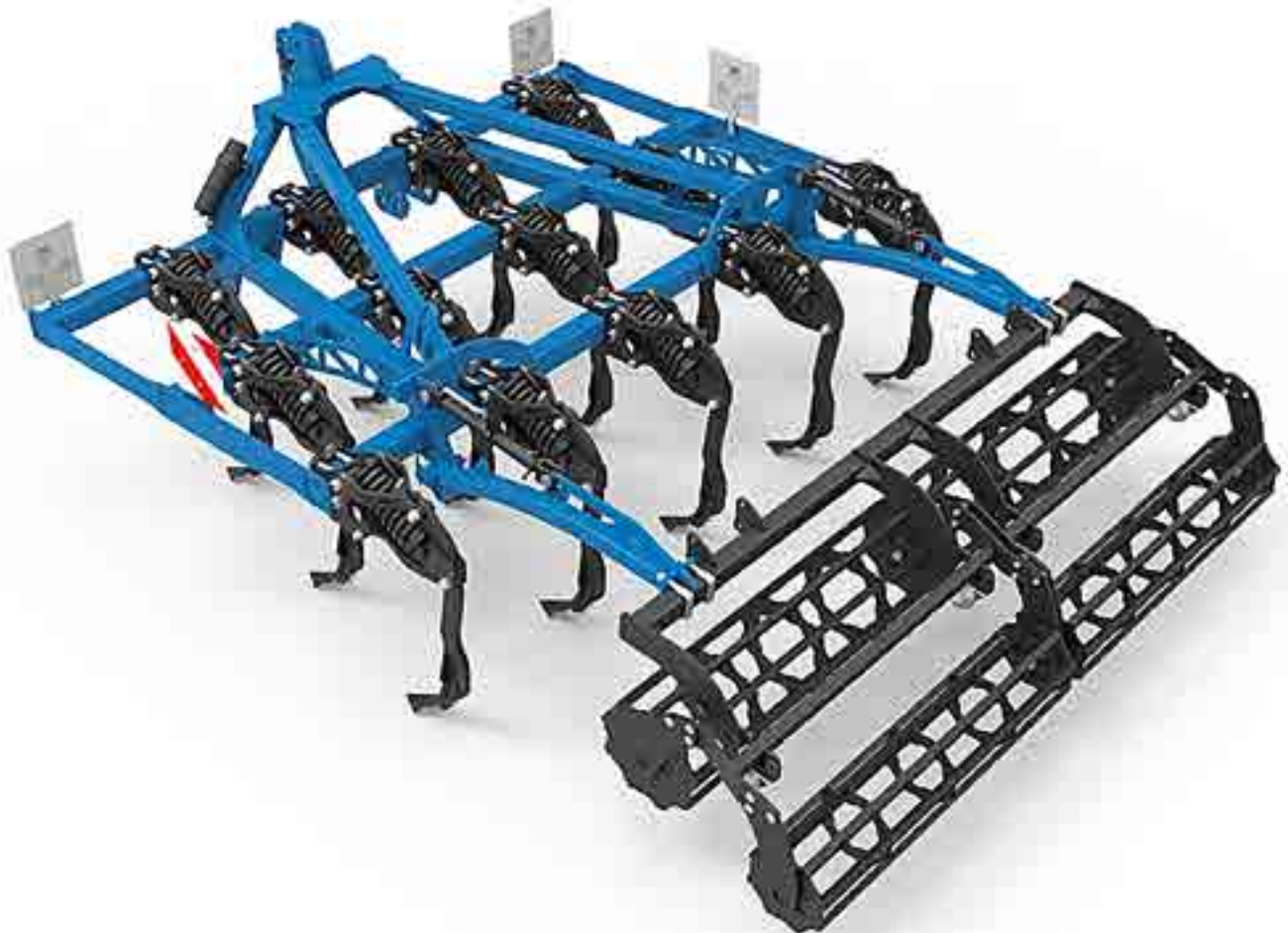
The GB Group expertise and experience of 200 years in design and manufacturing of tillage equipment allowed its engineers to develop a range of chisels which are able to adapt to all conditions.

Specifications

- » Machine range with 3 points-hitch Cat II - III
- » Frame fixed or foldable in 3 parts
- » Depth control by roller
- » 3 rows of teeth
- » Spacing between teeth 230 mm (or 306 mm)
- » Sub Clearance built 800 mm
- » Tractor power requirement of 110-185 Ch
- » Safety shear bolt
- » Roller Ø 500 mm 9 bars 25' mechanical roller Setting
- » Lighting and warning signs



The tines are guided in a parallelogram. Protection with shear bolts or nonstop with springs.



Choice of leveling accessories:



Levelling discs

Levelling discs are used to level the ground in presence of plant residues on the surface.



Leveling harrows

Levelling harrows are levelling the ground and leave a finer crumbled soil. Weeds and roots are pulled up.



Levelling blades

Levelling Blades break clods and level the ground. Weeds and roots are pulled up.



Reversible point double heart 13 cm or 18 cm.



Reversible point double heart 13 cm PLASMABID.



Narrow share 11 cm QUICK-FIX.



Goose share 26 cm QUICK-FIX.



Twisted point 7 cm.

MOUNTED RIGID AND MOUNTED FOLDABLE VERSIONS.

configuration choices, 4 combinations available:



Impak roll.

Stacked wheels Ø 540 mm. Wheel distance: 172 mm (indexing wheel relative to the teeth).

- » Homogeneous soil consolidation
- » Aggressiveness of diamond profile
- » Work in wet conditions. active scrapers
- » Prevents the accumulation of soil
- » Leveling
- » Choice of finish. 2 different rear scrapers optional



Double roller square bar Ø 400/300 mm.

- » Destruction of plant residue and fine soil
- » Used to separate soil from roots and breaking up crop residues and surface clods
- » Strongest ability of all rollers to create fine soil for soil preparation



Triple following harrow.

3 rows of wire harrows Ø 16 mm, retractable

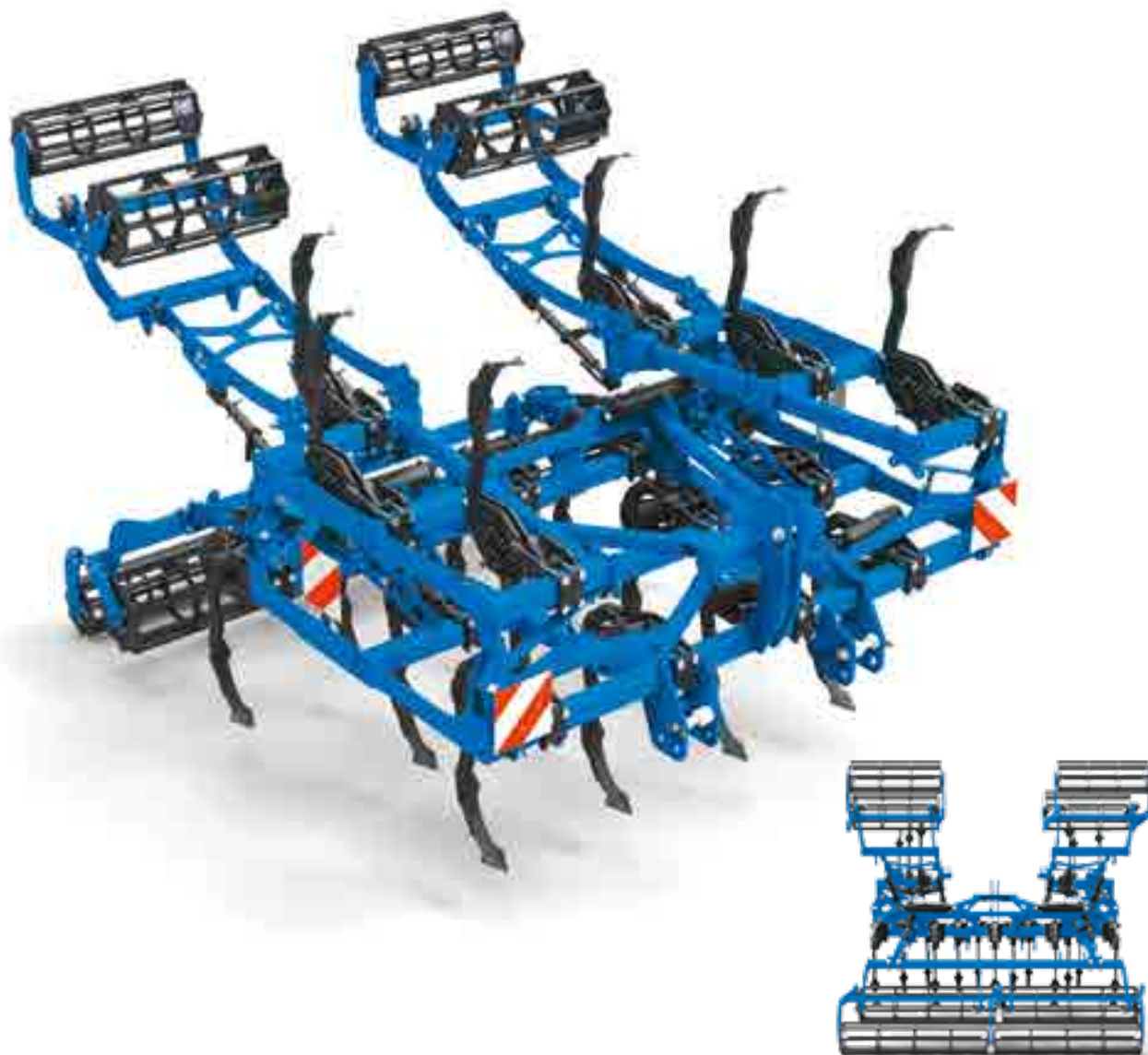
- » Very strong aggressiveness on weeds and roots
- » Separation of the soil from the roots to dry them on the surface
- » Ground pressure adjustable and with that the possible aggression



Square bar crumbler roller Ø 500 mm.

- » Attacks crop residues and surface clods
- » It facilitates soil / seed contact and germination during false seeding
- » Versatile, lightweight and economical
- » Suitable for different soil types





A range of mounted cultivators designed to meet all your requirements.

Technical characteristics	BLUEBIRD CL					
Machine	CL 3000		CL 3500	CL 4400	CL 4850	CL 5300
Number of tines	10	13	15	19	21	23
Safety device	shear bolt or springloaded safety (Version -F-)					
Working depth (mm)	250					
Tine distance (mm)	306	230				
Mounting	mounted, fixed			mounted, three-part folding		
Working width (m)	3,00	3,50	4,40 *	4,85 *	5,30 *	
Transport width (m)	3,00	3,50	3,00			
Weight (kg)	1.200	1.350	1.500	2.200	2.350	2.550
Required tractor power (hp)	110		120	150	170	185

* Ability to work in 3.00 m with folded machine.

Weight (without roller) and required horsepower are reference values and vary due to different soil conditions.

BLUEBIRD CL SP

SEMI-MOUNTED CULTIVATOR FOR TRACTOR FROM 185 HP.

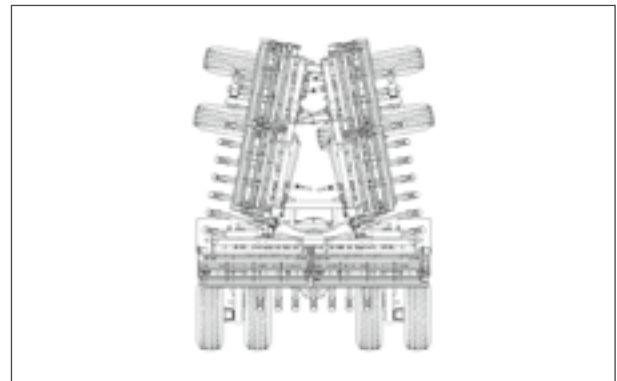
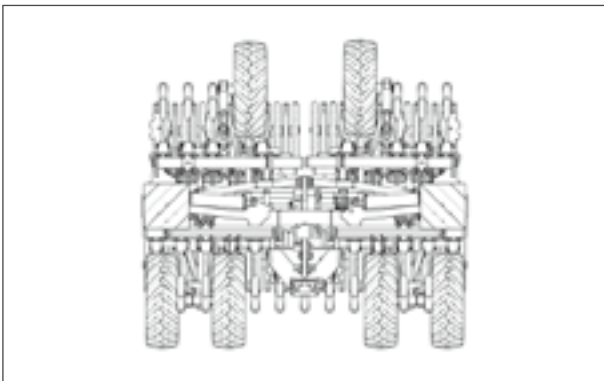
**The BLUEBIRD semi-mounted SP II and SP III
have a central frame and two lateral ones.**

They are suitable to medium and high power tractors and have a working width of 5.30 m to 8.05 m.

Precise

- » The wheels are positioned within the frame
always followed by a tine to clear the trace
- » Homogeneous finish over the entire working
width
- » Used to work without rear equipment
- » Repels limits
- » Excellent depth control





BLUEBIRD CL SP II

3 parted 180° flat folding. Transport width of 3.00 m. No protruding tines in transport position. Can also work in transport position - that allows the use of the whole tractor power in 3.00 m width for extreme conditions.

BLUEBIRD CL SP III

Folding in 3 parts at 100°. Transport width of 3.00 m - even for large working widths of 8 m.

A range of mounted cultivators designed to meet all your requirements.

Technical characteristics	BLUEBIRD CL SP II		BLUEBIRD CL SP III		
	CLA 5300	CLA 5750	CLA 6200	CLA 7150	CLA 8050
Machine	CLA 5300	CLA 5750	CLA 6200	CLA 7150	CLA 8050
Number of tines	23	25	27	31	35
Safety device	shear bolt or springloaded safety (Version -F-)				
Working depth (mm)	250				
Tine distance (mm)	230				
Mounting	SEMI-mounted folding into 3 parts 180°		Semi-mounted folding into 3 parts 100°		
Working width (m)	5,30 *	5,75 *	6,20	7,15	8,05
Transport width (m)	3,00				
Weight (kg)	5.350	5.440	5.170	5.780	6.410
Required tractor power (hp)	185	200	215	250	280

* Ability to work in 3.00 m with folded machine.

Weight (without roller) and required horsepower are reference values and vary due to different soil conditions.

BLUEBIRD DFX

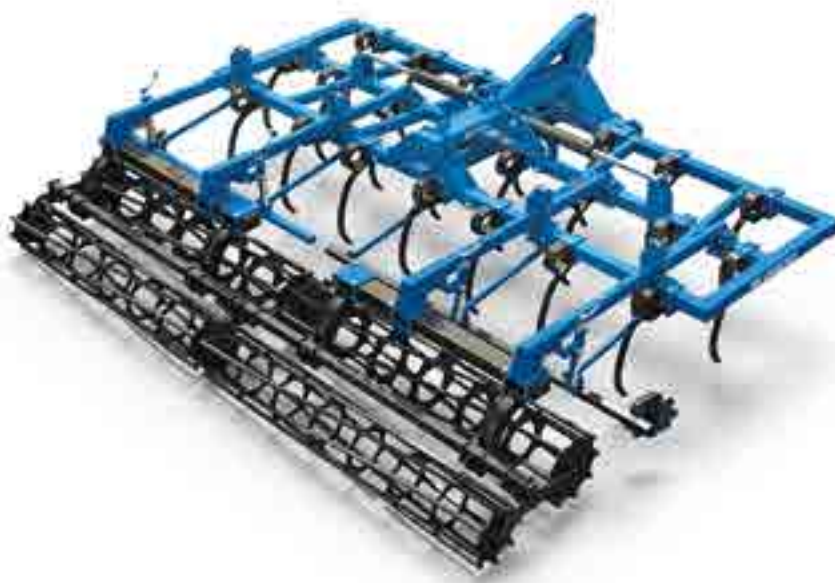
MOUNTED CULTIVATOR – WORKING WIDTH 2.60 TO 6.00 M

**Versatile and reliable,
the cultivator is an essential tool on a farm.**

With the -pigtail- tine in 35mm it ideal for stubble cultivation and the resumption of ploughing. The tine allows a movement up- and downwards as well as sideways to avoid stones. This flexibility lets the tine vibrate at high speed and gives it the ability to break and crumble the ground.

Technical features

- » 3 Point Hitch, Cat II for fixed and cat. II - III for folding version
- » Frame fixed or folding hydraulically, with automatic locking in transport
- » Chassis 100 × 100 × 10 mm
- » Folding machine folds in 2 parts to 2.5 m transport width
- » Three rows of tines
- » Spacing between rows 75 cm
- » Frame height 70 cm
- » Pigtail 35 × 35 mm tines with reversible shares 75 x 15 x 346 mm



Levelling discs.

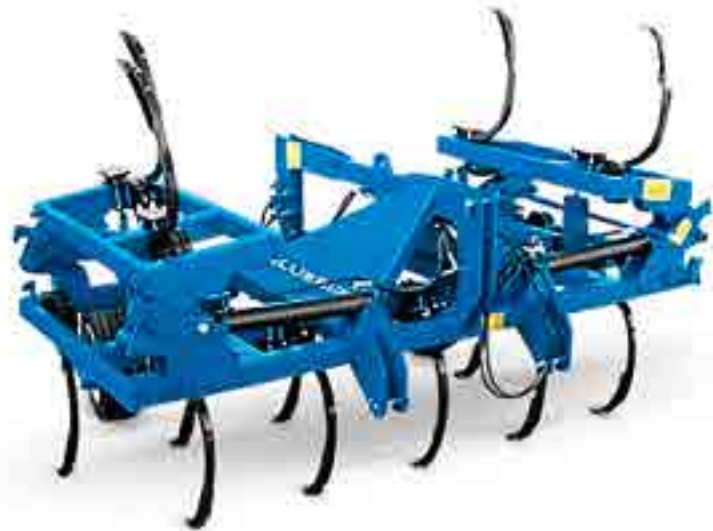
Levelling discs are used to level the ground in presence of plant residues on the surface.

Technical characteristics	BLUEBIRD DFX						
	DFX 260-35	DFX 300-35	DFX 350-35	DFXR 400-35	DFXR 450-35	DFXR 500-35	DFXR 600-35
Machine							
Number of tines	11	13	15	18	20	22	26
Working depth (mm)	200						
Tine distance (mm)	750						
Working width (m)	2,60	3,00	3,50	4,00	4,50	5,00	6,00
Transport width (m)	2,60	3,00	3,50	2,50			
Weight (kg)	700	750	830	1.350	1.560	1.740	1.950
Required tractor power (hp)	70	110	140		150	160	200

Weight (without roller) and required horsepower are reference values and vary due to different soil conditions.

Specifications

- » Front mounting version of the BLUEBIRD DFX
- » 3 points-hitch Cat II
- » Frame fixed or foldable in 3 parts
- » 2 rows of tines
- » Row distance of 750 mm
- » Spacing between tines 230 mm
- » Underbeam clearance 700 mm



Double roller square bar Ø 400/300 mm

- » Destruction of plant residue and fine soil
- » Used to separate soil from roots and breaking up crop residues and surface clods
- » Strongest ability of all rollers to create fine soil for soil preparation



Square bar crumbler roller Ø 500 mm

- » Attacks crop residues and surface clods
- » It facilitates soil / seed contact and germination during false seeding
- » Versatile, lightweight and economical
- » Suitable for different soil types



Triple following harrow

- 3 rows of wire harrows Ø 16 mm, retractable
- » Very strong aggressiveness on weeds and roots
 - » Separation of the soil from the roots to dry the on the surface
 - » Ground pressure adjustable and with that the possible aggression

Technical characteristics	BLUEBIRD DFP						
	DFP 240	DFP 300	DFP 340	DFP 400	DFPR 400	DFPR 450	DFPR 500
Machine	DFP 240	DFP 300	DFP 340	DFP 400	DFPR 400	DFPR 450	DFPR 500
Number of tines	9	11	13	15		17	19
Working depth (mm)	200						
Tine distance (mm)	750						
Working width (m)	2,40	3,00	3,40	4,00		4,50	5,00
Transport width (m)	2,50	3,00	3,50	4,15	3,00		
Weight (kg)	900	950	1.050	1.150	1.200	1.320	1.600
Required tractor power (hp)	70	110	130	150		160	200

Weight (without roller) and required horsepower are reference values and vary due to different soil conditions.

BLUEBIRD GH

MOUNTED FLAT CULTIVATOR FOR TRACTORS FROM 150 HP

The BLUEBIRD GH is a two-beam mounted cultivator for flat work up to 25 cm depth with good mixing and easily pulling.

It's the ideal device for stubble cultivation. It can also be combined as a front attachment with mulch drills.

Technical features

- » Cat II - III
- » Mounted version with rigid or foldable frame
- » Also available for front attachment
- » 2 rows of tines
- » Distance between the tines 450 mm
- » Shear bolt or springloaded non-stop protection
- » Frame height 750 mm (shear bolt version), 800 mm springloaded non-stop protection
- » Tractor output from 80 - 240 hp
- » Crumbler roller Ø 540 mm
- » Various rollers available
- » Depth control with roller
- » Mechanical roller adjustment
- » Warning signs



Front attachment (option)



Double heart with lateral wings. Better mixing than standard points, easier pulling.



Standard point with lateral wings. The wings have an setting angle - for a better penetration and improved mixing.

Technical characteristics	BLUEBIRD GH (F)		
	GH 3000 (F)	GH 5000 (F)	GH 6000 (F)
Machine	GH 3000 (F)	GH 5000 (F)	GH 6000 (F)
Number of tines	7	1	13
Safety device	shearbolt or non-stop safety (version 'F')		
Working depth (mm)	250 mm		
Tine distance (mm)	450 mm		
Machine type	mounted rigid frame	mounted frame, three part folding	
Working width	3,00 m	5,00 m	6,00 m
Transport width	3,00 m		
Weight	600 kg	1.350 kg	2.510 kg
Required tractor power (hp)	150 ch	210 ch	240 ch

Weight (without roller) and required horsepower are reference values and vary due to different soil conditions.

MOUNTED CULTIVATOR FOR TRACTORS FROM 150 HP

The BLUEBIRD 3GR is a three-beam mounted cultivator for flat work up to 35 cm depth.

With 13 tines on a working width of 3 meters it has a tighter tine spacing resulting in a better mixing and crumbling effect compared to conventional cultivators with only 10 tines. Depending on the purpose of the application, the work results can be further optimized with various shares.

Technical features

- » Cat II - III
- » Mounted version with rigid or foldable frame
- » 3 rows of tines
- » Line spacing 230 mm
- » Shear bolt or springloaded non-stop protection
- » Frame height 820 mm (shear bolt version), 800 mm springloaded non-stop protection
- » Tractor output from 120 - 250 hp
- » Crumbler roller Ø 540 mm
- » Various rollers available
- » Deep control over the roller
- » Maintenance-free roller bearings
- » Mechanical roller adjustment
- » Warning signs



Double heart
13 cm or 18 cm



Double heart
13 cm Plasmabid



Narrow Share
11 cm Quick-Fix



Goose Share
26 cm Quick-Fix



Twisted point
7 cm

Technical characteristics	BLUEBIRD 3 GR (F)	
	GR (F) 3000	GR (F) 4500
Machine	GR (F) 3000	GR (F) 4500
Number of tines	13	19
Safety device	shearbolt or non-stop safety (version 'F')	
Working depth (mm)	350 mm	
Tine distance (mm)	240 mm	
Machine type	mounted rigid frame	mounted frame, three part folding
Working width	3,00 m	4,50 m
Transport width	3,00 m	
Weight	820 kg (1.200 kg)	1.250 kg (1.800 kg)
Required tractor power (hp)	120 ch	250 ch

Weight (without roller) and required horsepower are reference values and vary due to different soil conditions.

COMBI DIGGER CD

SINGLE BEAM CURVED TINES.

Specifications

- » Curved tine - with blade protection and chisel
- » Cat III N
- » 3.0 m transport width = 3.0 m working width
- » Can be used single or combined with a power harrow
- » Working depth of 20 to 50 cm
- » Frame under clearance 900 mm
- » Shearbolt protection
- » Park stand



Technical characteristics	COMBI DIGGER CD		
Machine	CD 3004	CD 3006	CD 3008
Number of tines	4	6	8
Working width (m)	3,00		
Transport width (m)	3,00		
Weight (kg)	800	850	1.100
Required tractor power (hp)	120	140	160

Weight (without roller) and required horsepower are reference values and vary due to different soil conditions.

Specifications

- » Curved tine - with blade protection and chisel
- » Cat III
- » Transport width = working width
- » Can be used single or combined with a power harrow
- » Working depth of 20 to 50 cm
- » Frame under clearance 900 mm
- » Hydraulical non-stop or shearbolt protection
- » Park stand



Curved tines with welded protection and removable chisel



Technical characteristics	COMBI DIGGER LM 900					
Machine	HLP 36 B	HLP 356 B	HLP 48 B	HLP 36 NSH	HLP 356 NSH	HLP 48 NSH
Number of tines	6		8	6		8
Safety device	shear bolt			non-stop hydraulic		
Working width (m)	3,00	3,50	4,00	3,00	3,50	4,00
Transport width (m)	3,00	3,50	4,00	3,30	3,50	4,30
Weight (kg)	800	850	1.100	1.460	1.510	1.730
Required tractor power (hp)	120 – 160		150 – 240	120 – 160		150 – 240

Weight (without roller) and required horsepower are reference values and vary due to different soil conditions.

COMBI DIGGER NT 900

SINGLE BEAM STRAIGHT TINES.

Specifications

- » Straight NT-tine - with tine protection, chisel and removable wing 280 mm
- » Cat. III
- » Transport width = working width
- » Can be used single or combined with a power harrow
- » Working depth up to 45 cm
- » Underbeam clearance 900 mm
- » Hydraulical non-stop or shearbolt protection
- » Park stand



Straight NT-tine - with tine protection, chisel and removable short wing 280 mm



Increase soil porosity.

- 1 Cracking without disruption of soil horizons
- 2 Better water flow of excessive rainfall
- 3 Promotes capillarity
- 4 Better development of roots

Technical characteristics	COMBI DIGGER NT 900		
Machine	NT 900 B		
Number of tines	4	6	
Working width (m)	3,00	3,50	4,00
Transport width (m)	3,00	3,50	4,00
Weight (kg)	700	920	1.000
Required tractor power (hp)	120	120	160

Weight (without roller) and required horsepower are reference values and vary due to different soil conditions.

DOUBLE BEAM STRAIGHT TINES.

Specifications

- » Straight NT-tine - with tine protection, chisel and removable wing 280 mm
- » Cat. II or III N
- » Tines mounted on two beams
- » Beam width: 960 mm
- » Working depth 20 to 50 cm
- » Underbeam clearance 850 mm
- » Hydraulic non-stop or shearbolt protection



Straight NT-tine - with tine protection, chisel and removable short wing 280 mm



Increase soil porosity.

- 1 Cracking without disruption of soil horizons
- 2 Better water flow of excessive rainfall
- 3 Promotes capillarity
- 4 Better development of roots

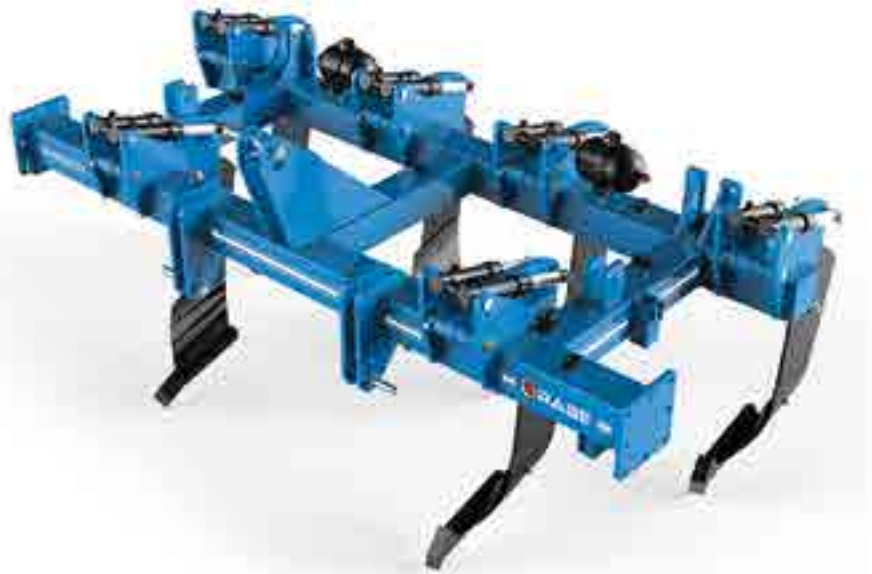
Technical characteristics	DIGGER NT 900					
	NT 900 B			NT 900 NSH		
Machine						
Number of tines	5		7	5		7
Safety device	shearbolts			non-stop hydraulic		
Working width (m)	3,00	3,50	4,00	3,00	3,50	4,00
Transport width (m)	3,00	3,50	4,00	3,00	3,50	4,00
Weight (kg)	980	1.080	1.240	1.340	1.440	1.720
Required tractor power (hp)	120 – 160		150 – 240	120 – 160		150 – 240

Weight (without roller) and required horsepower are reference values and vary due to different soil conditions.

MOUNTED DIGGER WITH CURVED TINES.

Specifications

- » Curved tines with welded protection and removable chisel
- » Cat. II or III N
- » Tines mounted on two beams
- » Beam width: 960 mm
- » Frame 160 x 160 x 10 mm
- » Hydraulic non-stop or shearbolt protection
- » Shearbolt version: working width = transport width
- » Working depth 20 to 50 cm
- » Underbeam clearance 850 mm



Curved tines with welded protection and removable chisel

Technical characteristics	DIGGER LM 900					
	LM 900 B			LM 900 NSH		
Machine						
Number of tines	6		8	6		8
Safety device	shearbolts			non-stop hydraulic		
Working width (m)	3,00	3,50	4,00	3,00	3,50	4,00
Transport width (m)	3,00	3,50	4,00	3,30	3,50	4,30
Weight (kg)	980	1.080	1.240	1.340	1.440	1.720
Required tractor power (hp)	80 – 120	120 – 160	140 – 180	120 – 160	130 – 220	150 – 240

Weight (without roller) and required horsepower are reference values and vary due to different soil conditions.

Specifications

- » Curved tines with welded protection and removable chisel
- » Cat. II or III N
- » Tines mounted on two beams
- » Beam width: 960 mm
- » Foldable frame
- » Central frame 300 x 300 mm, lateral frame 160 x 160 x 10 mm
- » Hydraulic non-stop or shearbolt protection
- » Transport width 3.0 m
- » Working depth 20 to 50 cm
- » Underbeam clearance 850 mm



Technical characteristics	DIGGER LM K 900			
	HLSR 408 B	HLSR 510 B	HLSR 408 NSH	HLSR 510 NSH
Machine				
Number of tines	8	10	8	10
Safety device	shearbolts		non-stop hydraulic	
Working width (m)	4,00	5,00	4,00	5,00
Transport width (m)	3,00			
Weight (kg)	1.800	1.980	2.360	2.680
Required tractor power (hp)	150 – 240	180 – 240		

Weight (without roller) and required horsepower are reference values and vary due to different soil conditions.

SEMI MOUNTED WITH TINE <MICHEL>.

Specifications

- » Curved tines with welded protection and removable chisel
- » Cat. II or III N
- » Tines mounted on two beams
- » Beam width: 800 mm
- » Foldable frame
- » Axle with hydraulic brakes and mechanical parking brake
- » Central frame 300 x 300 mm, lateral frame 160 x 160 x 10 mm
- » Hydraulical non-stop or shearbolt protection
- » Transport width 3.0 m
- » Working depth 20 to 50 cm
- » Underbeam clearance 850 mm



Technical characteristics	DIGGER DVB SP			
Machine	DVB SPR 408 B	DVB SPR 408 B	DVB SPR 408 NSH	DVB SPR 408 NSH
Number of tines	8	10	8	10
Safety device	shearbolts		non-stop hydraulic	
Working width (m)	4,00	5,00	4,00	5,00
Transport width (m)	3,00			
Weight (kg)	4.800	4.980	5.360	5.680
Required tractor power (hp)	200	300	200	300

Weight (without roller) and required horsepower are reference values and vary due to different soil conditions.

Your RABE dealership for outstanding on-site service:

This literature has been compiled for worldwide circulation. While general information, pictures and descriptions are provided, some illustrations and text may include product options and accessories not available in all countries. Please contact RABE or your local dealer directly. RABE reserves the right to change specifications and design of products described in this literature without notice.

