



GRÉGOIRE
BESSON

COVER X T80

SEMI-MOUNTED X-PROFILE DISC HARROW

COVER X T80

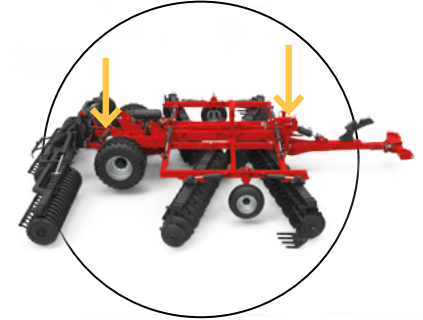
SEMI-MOUNTED X-PROFILE OFFSET DISC HARROW

40 to 64 discs - Tractors: 310 to 400 hp - Working width: 5.00 to 7.00 m



Rigid chassis

Using a single-beam structure, proven over decades, the Cover X has increased rigidity from the lateral supports to achieve greater and more uniform disc penetration in harsh conditions.



Easy to adjust

For a perfect finish and a well-levelled field, the machine must be parallel to the ground. All you need to do is adjust the drawbar cylinder and the roller depth using the two hydraulic cylinders.



Choice of depth control

Depth control using wheels allows you to pass over any type of terrain regardless of the weather. Support using wheels prevents the roller from jamming because the weight of the machine does not push the roller into the ground. In dry conditions you can choose between wheels and rollers for good stability.



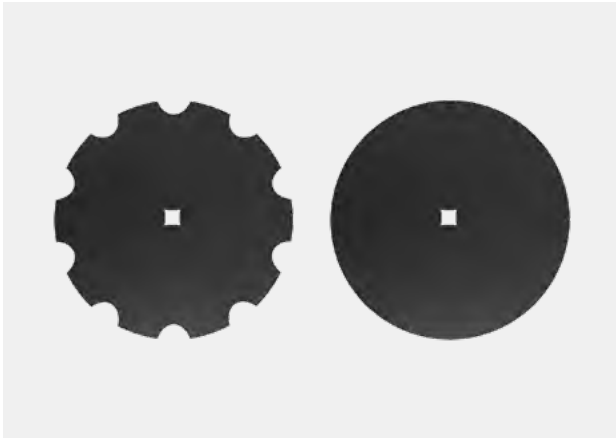
Graduated mounting

The disc gangs at the back of the machine are mounted gradually to ensure good soil levelling. The volume of soil that the front disc gang projects is recovered.



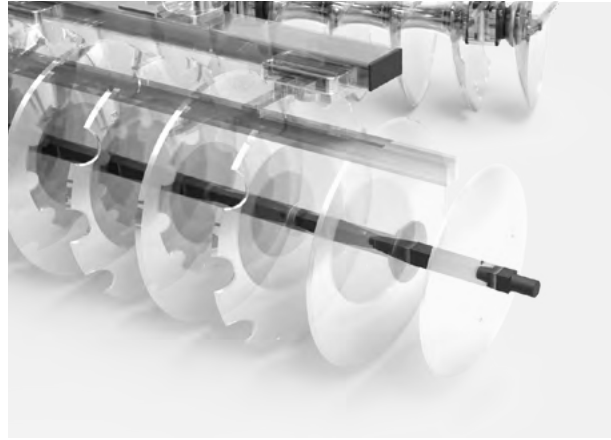
Disc gang adjustment

The angle adjustment enables you to set the disc aggressivity and modify your working depth. It can be done mechanically using a tension rod or by optional hydraulics.



Wide choice of discs

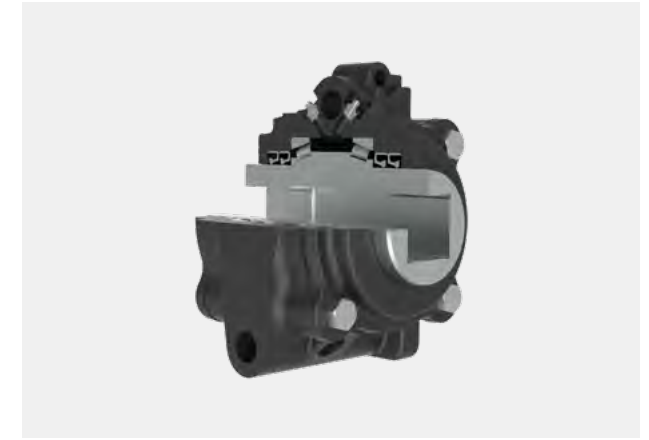
To improve disc gang performance, we offer two types of discs: notched and plain. 660 mm and 710 mm diameters are available, so you can adapt to your disc gang depth and the volume of organic matter present on your land. To limit disc diameter wear, several disc thicknesses are available.



Robust stacking of disc gangs

Treated steel shafts absorb shocks well and do not lengthen when tightened. To simplify access for disc replacements, disc gangs are tightened and clamped from the ends.

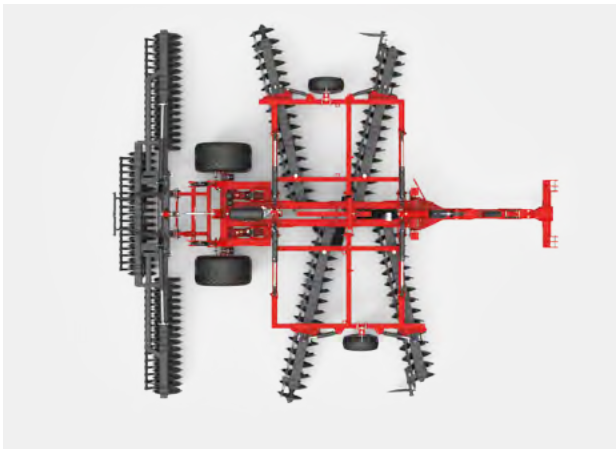
The mechanically welded design along with the choice of steel make our disc gang seating the best on the market.



Durable bearings

The compact, cast iron housing means that it will not interfere with the passage of residues. This minimizes jamming.

Thanks to triple sealed packing and two outward-facing seals, excess grease can escape but dust and debris cannot enter. This system extends service life and reduces maintenance to a minimum.



X design

The disc gangs are offset for uniform work across the entire working surface. This also allows perfect symmetry between the right and left side in order to balance pulling forces. X-profile Disc gangs are versatile and work well on land with few contours.



Bearing protection

A bearing protection guard is recommended for very stony conditions. The aim is to preserve the bearing from wear and tear due to ground friction but also from impacts caused by foreign objects in the field.



Several hitching types

Two hitching types are available: a turning ring hitch for the eye bolt or the drawbar, or a Cat 2 and 3N arm coupling to improve manoeuvring in headlands thanks to the wide turning circle.

COVER X T80 TECHNICAL SPECIFICATIONS

	6.20	6.60	7.00	5.00	5.50	6.00
Working width (m)	6.20	6.60	7.00	5.00	5.50	6.00
Tractor power (HP) <i>Tractor power (kW)</i>	340 / 380 250 / 279	350 / 390 257 / 287	360 / 400 265 / 294	310 / 350 228 / 257	320 / 360 235 / 265	330 / 370 243 / 272
Transport width (m)	3.00					
Transport height (m)	3.45	3.60	3.80	3.00	3.15	3.30
Indicative weight (kg)	6 472	6 683	6 895	5 475	5 686	5 913
Yoke hitch type (Cat.)	Cast ring ball joint: Ø 45 mm - Ø 55 mm - Ø 65 mm / Option: arms CAT 2 / 3N / 3 - 4N / 4					
Chassis version	Can be folded in two parts					
Number of discs	56	60	64	40	44	48
Disc shaft diameter (mm)	40			50		
Disc diameters (mm)	Standard Ø 660 / Option Ø 710					
Disc thicknesses (mm)	7 mm at the front and 6 mm at the back					
Spacing between discs (mm)	230			270		
Under frame clearance (mm)	800					
Max. working depth (mm)	200					
Working part safety system	Fixed seating					
Disc angle adjustment	Standard: mechanical / Optional: hydraulic					
Stabilizing wheel	Standard two side wheels 10.0/75x15.3 (Ø 760 mm) / Option 11.5/80x15.3 (Ø 845 mm)			Standard without / Option two side wheels 10.0/75x15.3 (Ø 760 mm) / 11.5/80x15.3 (Ø 845 mm)		
Tyres	Standard 18R22.5 (Ø 1011 mm) / Option 600/50x22.5 (Ø 1171 mm)					
Brakes	Standard: hydraulic / Option: tyre					
Seed drill walkway	Option					
Hectare counter	Option					
Roller adjustment	Hydraulic					
Rear equipment (mm)	Rollers: single bar Ø600 / Singe bar Ø 900 / Emopak P Ø600 / Emopak V Ø600					
Road traffic lights	As standard					