

# MULTI 1 ONE

## PRODUCTS HANDBOOK







## GLOSSARY

Tipping load, Max	It's the maximum load that can be lifted just off the ground when the machine is straight, with rear weights and on firm, level ground. Boom not extended. Weight of attachment included, the tipping load is the value indicated minus the weight of the attachment.
Lifting capacity straight	It's the maximum load that can be lifted when the machine is straight on firm level ground, with rear weights and boom not extended. Weight of attachment included, the net lifting load is the value indicated minus the weight of the attachment. It's 80% of tipping load.
Lifting capacity fully articulated	It's the maximum load that can be lifted when the machine is fully articulated on firm level ground, with rear weights and boom not extended. Weight of attachment included, the net lifting load is the value indicated minus the weight of the attachment.
Max lift height	It's the height of the coupling plate pivot point with extended boom.
Breakout force / 50 cm	Rollback force measured at 500 mm from the pivot point, max value.
Pushing force	Calculated (c) pushing force of the machine with 100% efficiency.
Drive speed (max.)	Maximum speed that can be achieved with the largest diameter tires available, on a flat surface and machine without attachments.

**Note:**

Never exceed the rated lifting or hydraulic capacity of the machine.

When using attachments, know their capacity ratings and machine limitations. Machine specifications can be found in the Operator's Manual.

If not specified, all dimensions have been taken with standard tires.

All products listed in this catalogue may not be available on all markets and countries. Please consult your local MultiOne dealer for availability.

Compatibility table between attachments and loader models are advisory. Please consult your local MultiOne dealer to make sure that the attachment is compatible with your MultiOne mini loader.



## TABLE OF CONTENTS

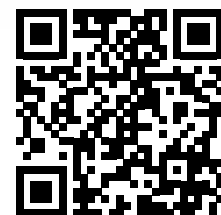
<b>LOADERS</b> .....	<b>4</b>	BACKHOE .....	88
1 SERIES .....	4	AUGER .....	89
2 SERIES .....	6	OPTIONS FOR AUGER .....	90
4 SERIES .....	10	GRADER .....	91
5 SERIES .....	12	CEMENT MIXER .....	92
6 SERIES .....	16	CONCRETE MIXING BUCKET .....	93
7 SERIES .....	20	COLD PLANER .....	94
EZ SERIES .....	24	HYDRAULIC BREAKER .....	95
8 SERIES: 8.4+, 8.4S .....	28	DEMOLITION JAW .....	96
8 SERIES: 8.5 .....	30	CRUSHER BUCKET .....	97
9 SERIES .....	34	SCREENING BUCKET .....	98
10 SERIES: 10.9 .....	38	<b>ESTATE &amp; PROPERTY MAINTENANCE</b> .....	<b>99</b>
SD SERIES: 6.3SD, 7.3SD, 8.4SD .....	42	SWEeper WITH COLLECTOR BOX .....	99
SD SERIES: 9.5 SD .....	46	ROTARY SWEEPER .....	100
12 SERIES .....	50	VACUUM SWEEPER .....	101
WHEELS AND TIRES .....	53	LEAF VACUUM .....	102
OPTIONS .....	54	WEED BRUSH .....	103
<b>BUCKETS, MATERIAL HANDLING</b> .....	<b>62</b>	SNOW BLADE .....	104
GENERAL BUCKET .....	62	SNOW PLOW .....	105
COMBO BUCKET .....	63	SNOW BLOWER .....	106
GRAPPLE BUCKET .....	64	SALT AND SAND SPREADER .....	107
DEMOLITION GRAPPLE BUCKET .....	65	DROP SPREADER .....	108
HIGH TIP BUCKET .....	66	TRAILER .....	109
LIGHT MATERIAL BUCKET .....	67	HIGH PRESSURE WASHER .....	110
PALLET FORK .....	68	STAKE INSTALLER .....	111
PALLET FORK HYDRAULIC CLAMP .....	69	AERIAL WORK PLATFORM .....	112
JIB CRANE, ONE-PIECE OR TELESCOPIC .....	70	STREET WASHER .....	113
BIG BAG LIFTER .....	71	DEBRIS AND LEAF BLOWER .....	114
PALLET FORK WITH SIDE SHIFT .....	72	<b>GROUNDS CARE</b> .....	<b>115</b>
LIFTING TROLLEY .....	73	FLAIL MOWER WITH SIDE SHIFT .....	115
<b>FARMING</b> .....	<b>74</b>	FLAIL MOWER .....	116
HEAVY DUTY SILAGE FORK .....	74	SIDE BOOM WITH FLAIL MOWER DZ1 .....	117
MANURE FORK .....	75	SIDE BOOM WITH FLAIL MOWER DZ2 .....	118
BALE FORK .....	76	LAWN MOWER .....	119
HAY BALE GRAPPLE .....	77	TORNADO LAWN MOWER .....	120
HORSE STABLE PACKER .....	78	SICKLE BAR MOWER .....	121
FEED DISPENSER .....	79	SPIKE AERATOR .....	122
HORSE ARENA HARROW .....	80	CORE AERATOR .....	123
RUBBER SCRAPER .....	81	HEDGE CUTTER .....	124
SQUARE BALE CLAMP .....	82	SPRAYER .....	125
HIVE HANDLER .....	83	LANDSCAPE POT CLAMP .....	126
SCREW FEED PUSHER .....	84	<b>VINEYARD AND ORCHARD</b> .....	<b>127</b>
<b>DIGGING &amp; CONSTRUCTION</b> .....	<b>85</b>	DUAL BLADE HEDGE TRIMMER .....	127
DOZER BLADE .....	85	SHOOT REMOVER .....	128
TRENCHER .....	86	INTER-ROW MOWER .....	129
TRENCHER .....	86	STAINLESS STEEL TIPPING DUMPER .....	130
MINI DIGGER .....	87	TREE SHAKER WITH COLLECTOR .....	131








## TABLE OF CONTENTS

VINEYARD SPRAYER .....	132
VINEYARD TOOL CARRIER.....	133
<b>LANDSCAPING.....</b>	<b>134</b>
ROTARY TILLER .....	134
POWER HARROW .....	135
POWER RAKE.....	136
STONE BURIER.....	137
POWER PLOW.....	138
RIPPER .....	139
STUMP GRINDER.....	140
LEVELER.....	141
TREE SPADE.....	142
POWER AUGER FOR TREE PLANTING.....	143
<b>FORESTRY.....</b>	<b>144</b>
WINCH.....	144
DUMPER .....	145
TIMBER GRAB 100 .....	146
TIMBER GRAB 120 .....	147
TREE SHEAR.....	148
LOG GRAPPLE.....	149
LOG SPLITTER .....	150
HYDRAULIC BIO SHREDDER.....	151
<b>12 SERIES ATTACHMENTS.....</b>	<b>152</b>
GENERAL BUCKET FOR 12 SERIES.....	152
COMBO BUCKET FOR 12 SERIES.....	152
SNOW BLOWER FOR 12 SERIES .....	152
PALLET FORK FOR 12 SERIES.....	153
SILAGE FORK FOR 12 SERIES.....	153
SWEEPER FOR 12 SERIES.....	153
<b>OTHER ATTACHMENTS .....</b>	<b>154</b>
ALUMINIUM RAMPS .....	154
<b>OPTIONS FOR ATTACHMENTS .....</b>	<b>155</b>
MULTI CONNECTOR ADAPTORS FOR ATTACHMENTS... ..	155
MULTI CONNECTOR ADAPTOR FOR MACHINES .....	155
ATTACHMENT COUPLING PLATE .....	155
TILT ADAPTER .....	156
SKID-STEER ATTACHMENT ADAPTER PLATE.....	157

## 1 SERIES

<http://tiny.cc/multione1-1EN>

 TIPPING LOAD <b>320</b> kg	 ENGINE POWER <b>12</b> hp	 SPEED <b>8</b> km/h	 FLOW RATE <b>19</b> l/min	 LIFT HEIGHT <b>1,8</b> m
---	---	--	--	---

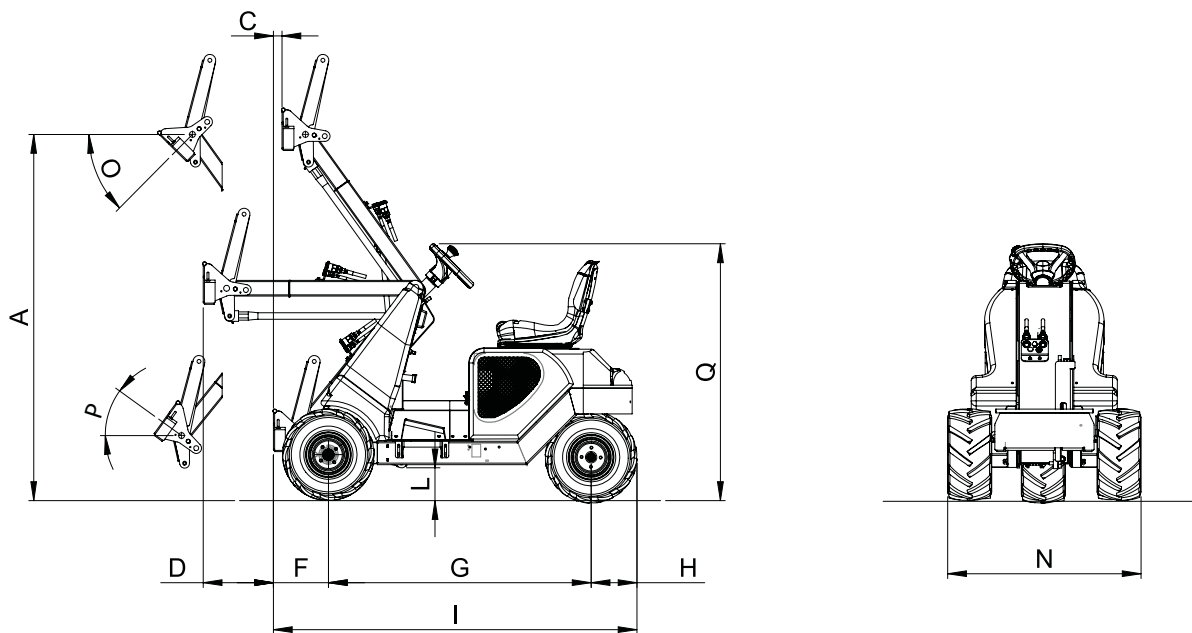
Model	1.1
Engine	Yanmar L100
Power (Iso Gross)	12 HP
Fuel	Diesel
Transmission	Hydrostatic
Drive speed (max.)	8 km/h (5 mph)
Aux. hydraulics oil flow	19 l/min (5 GPM)
Max. lifting height	1,8 m (70.9 in)
Tipping load, max <sup>(1)</sup>	320 kg (705 lbs)
Lifting capacity <sup>(2)</sup>	250 kg (551 lbs)
Breakout force / 50 cm (19.7 in)	250 kg (551 lbs)
Pushing force (c)	500 kgf (500 kp)
Specific ground pressure (w/standard tires)	390 kg/m <sup>2</sup> (80 lbs/sqft)
Turning radius: inside/outside	0/993 mm (0/39 in)
Standard tires (Tractor profile)	18x9.50-8
Weight	390 kg (860 lbs)
Product Code	<b>C926006</b>

<sup>(1)</sup> Maximum load that can be lifted just off the ground when the machine is straight. Weight of attachment included.

<sup>(2)</sup> Weight of attachment is included (80% of tipping load).

# 1 SERIES - FEATURES

- New YANMAR L100 engine compliant with Stage V and Tier 4 Final emissions standards
- 3WD hydrostatic transmission with differential lock
- 3 line hydraulic outlets
- Boom with self-levelling
- 4-functions joystick
- Ergonomic seat with adjustable position
- Mechanical parking brake



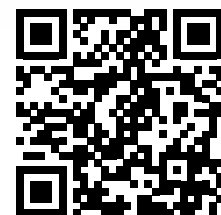
## DIMENSIONS (mm / in)


<b>A</b> - Pivot point height	1877 / 73.9	<b>I</b> - Machine length	1864 / 73.4
<b>C</b> - Outreach with lifted boom	44 / 1.7	<b>L</b> - Ground clearance	168 / 6.6
<b>D</b> - Outreach with orizontal boom	360 / 14.2	<b>N</b> - Max width (with standard tires)	992 / 39
<b>F</b> - Front length	282 / 11.1	<b>O</b> - Dump angle	45,5°
<b>G</b> - Wheelbase	1347 / 53	<b>P</b> - Rollback angle	35,5°
<b>H</b> - Rear length	235 / 9.2	<b>Q</b> - Height (with standard tires)	1316 / 51.8

Options	CODE
Biodegradable oil	C883059
Turf tires 18x9.50-8, set of 3	C885023



## 2 SERIES

<http://tiny.cc/multione2-2EN>


 TIPPING LOAD	 ENGINE POWER	 SPEED	 FLOW RATE	 LIFT HEIGHT
<b>530</b> kg	<b>25</b> hp	<b>15</b> km/h	<b>42</b> l/min	<b>1,6</b> m

Model	2.3
Engine	B&S Vanguard 8270
Power (Iso Gross)	25 HP
Fuel	Petrol
Transmission	Hydrostatic
Drive speed (max.) <sup>(1)</sup>	15 km/h (9.3 mph)
Aux. hydraulics oil flow	42 l/min (11.1 GPM)
Max. lifting height	1,6 m (63 in)
Tipping load, max <sup>(2)</sup>	530 kg (1168 lbs)
Lifting capacity straight <sup>(3)</sup>	420 kg (926 lbs)
Lifting capacity fully articulated <sup>(4)</sup>	340 kg (750 lbs)
Breakout force / 50 cm (19.7 in)	500 kg (1102 lbs)
Pushing force (c)	800 kgf (800 kp)
Specific ground pressure (w/standard tires)	610 kg/m <sup>2</sup> (125 lbs/sqft)
Turning radius: inside/outside	700/1698 mm (27.6/66.9 in)
Standard tires (Tractor profile)	20x8.00-10
Weight	700 kg (1543 lbs)
Product Code	C951027

<sup>(1)</sup> Maximum speed that can be achieved with the largest diameter tires available, on a flat surface and machine without attachments.

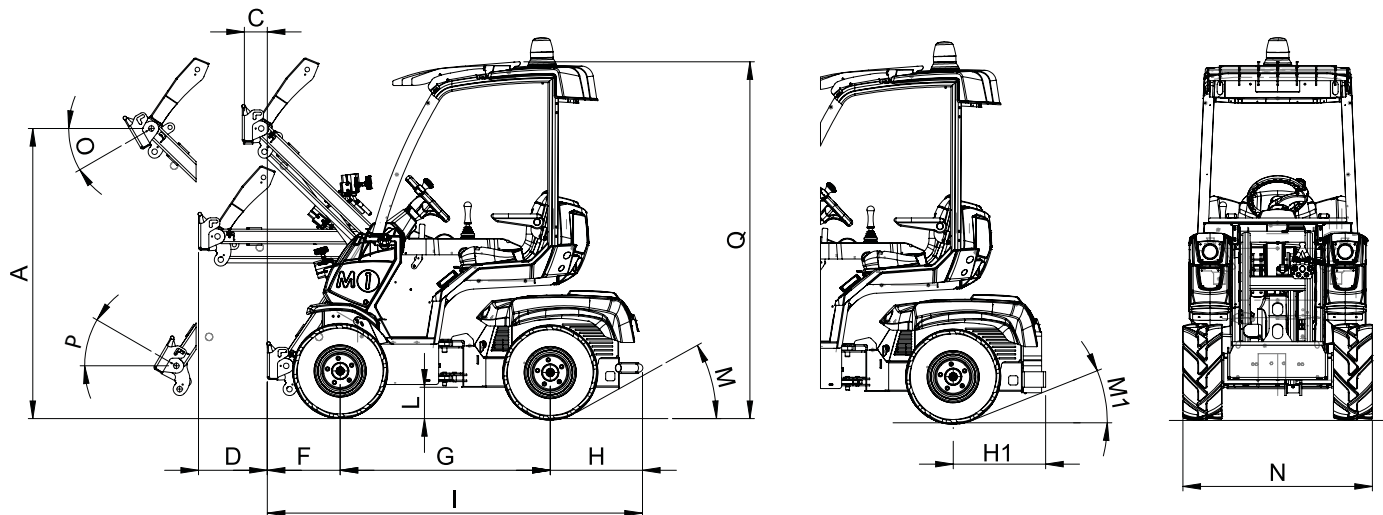
<sup>(2)</sup> Maximum load that can be lifted just off the ground when the machine is straight and with rear weights. Weight of attachment included.

<sup>(3)</sup> Machine straight, with rear weights. Weight of attachment is included. (80% of tipping load).

<sup>(4)</sup> Machine fully articulated, with rear weights. Weight of attachment is included.

## 2 SERIES - FEATURES

- DBS (Dynamic Block System)
- Hydraulic oil cooler
- Hydraulic multiconnector
- Self-levelling H-frame boom
- 4-functions joystick
- 4WD hydrostatic Direct Drive motors, proportional servo control
- ROPS-FOPS Level I
- 2 front working light
- Ergonomic seat with armrests and seat belt, adjustable position
- Mechanical parking brake
- High efficiency wheel motors



### DIMENSIONS (mm / in)

<b>A</b> - Pivot point height (not extended boom)	1584 / 62.3	<b>L</b> - Ground clearance	171 / 6.7
<b>C</b> - Outreach with lifted boom	125 / 4.9	<b>M</b> - Angle of departure	29°
<b>D</b> - Outreach with orizontal boom	375 / 14.7	<b>M1</b> - Angle of departure (with rear weights)	21,5°
<b>F</b> - Front length	398 / 15.6	<b>N</b> - Max width (with standard tires)	1035 / 40.7
<b>G</b> - Wheelbase	1147 / 45.1	<b>O</b> - Dump angle	40°
<b>H</b> - Rear length	504 / 19.8	<b>P</b> - Rollback angle	39°
<b>H1</b> - Rear length with rear weights	504 / 19.8	<b>Q</b> - Height (with standard tires)	1948 / 76.7
<b>I</b> - Machine length	2049 / 80.6		

Tires size	Width (N)	Height (Q)
20x8.00-10	1035 mm (40.7 in)	1948 mm (76.7 in)
23x8.50-12	1048 mm (41.2 in)	1986 mm (78.2 in)

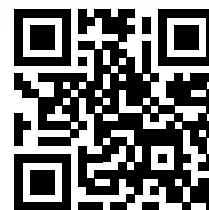
## 2 SERIES - OPTIONS






Options	Code
3 additional working halogen light	C883064
3 additional working LED light	C883018
Backup warning beeper	C883021
Beacon light	C883039
Biodegradable oil	C883200
Driver area cover	C880049
Flat face coupling kit	C880221
Fully enclosed cab with heating system and mirrors	C885224
Heated seat	C885216
Left protection bar for operator	C885027
Plexiglass back window (smart cabin)	C885239
Plexiglass right side (smart cabin)	C885238
Plexiglass windscreen (smart cabin)	C885237
Rear weights 84 kg (185 lbs)	C880234
Snow chains for wheel	see page 61
Tie down bracket on wheel hub, set of 4	C883065
Torque divider	C883004
Tractor tires 23x8.50-12, set of 4	C884005
Trailer coupling	C885017
Turf profile tires 20x8.00-10, set of 4	C885211
Turf tires 23x8.50-12, set of 4	C884006
Warning & Safety lights for road travel (with mirrors)	C885229
Wheel spacer 10 mm (0,4 in), set of 4 (max. 2 pcs for wheel)	C880090
Wheel spacer 55 mm (2,2 in), set of 4	C885010





## 4 SERIES

<http://tiny.cc/4seriesEN>


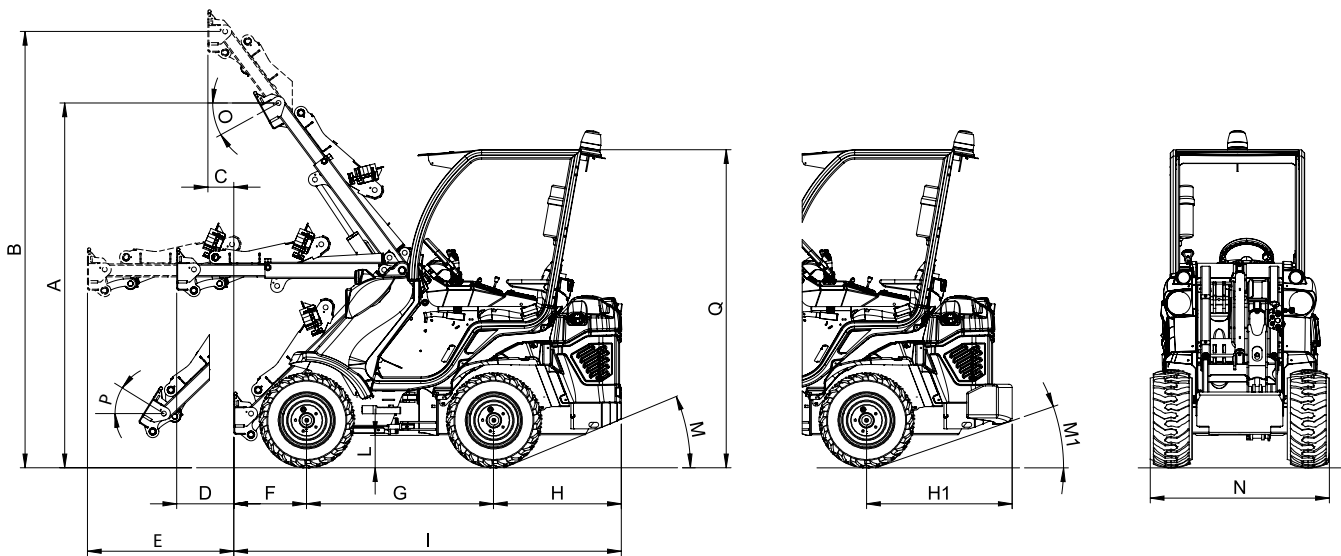
 TIPPING LOAD <b>1020</b> kg	 ENGINE POWER <b>20</b> hp	 SPEED <b>14</b> km/h	 FLOW RATE <b>31</b> l/min	 LIFT HEIGHT <b>2,75</b> m
--	---	---	--	--

Model	4.2
Engine	Kubota D722
Power (Iso Gross)	20 HP
Fuel	Diesel
Transmission	Hydrostatic
Drive speed (max.) <sup>(1)</sup>	14 km/h (8.7 mph)
Aux. hydraulics oil flow	31 l/min (8.2 GPM)
Max. lifting height	2,75 m (108 in)
Tipping load, max <sup>(2)</sup>	1020 kg (2249 lbs)
Lifting capacity straight <sup>(3)</sup>	820 kg (1808 lbs)
Lifting capacity fully articulated <sup>(4)</sup>	700 kg (1543 lbs)
Breakout force / 50 cm (19.7 in)	800 kg (1764 lbs)
Pushing force (c)	900 kgf (900 kp)
Specific ground pressure (w/standard tires)	815 kg/m <sup>2</sup> (167 lbs/sqft)
Turning radius: inside/outside	890/1890 mm (35/74.4 in)
Standard tires (Tractor profile)	23x8.50-12
Weight	940 kg (2072 lbs)
Product Code	C944000

<sup>(1)</sup> Maximum speed that can be achieved with the largest diameter tires available, on a flat surface and machine without attachments. <sup>(2)</sup> Maximum load that can be lifted just off the ground when the machine is straight, with rear weights and boom not extended. Weight of attachment included. <sup>(3)</sup> Machine straight, with rear weights and boom not extended. Weight of attachment is included. (80% of tipping load) <sup>(4)</sup> Machine fully articulated, with rear weights and boom not extended. Weight of attachment is included.

## 4 SERIES - FEATURES

- Hydraulic oil cooler
- Hydraulic multiconnector
- Double-H telescopic boom
- 4-functions joystick
- ROPS-FOPS Level I
- LCD graphic display with programmed service (tachometer, hour meter, fuel gauge, maintenance light, light indicator and other 14 indicators)
- 4WD hydrostatic Direct Drive motors, proportional servo control
- 2 front working light
- Seat with armrests and seat belt, adjustable position
- Mechanical parking brake
- High efficiency wheel motors



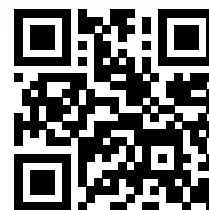
### DIMENSIONS (mm / in)






<b>A</b> - Pivot point height (not extended boom)	2250 / 88.6	<b>I</b> - Machine length	2390 / 94.1
<b>B</b> - Pivot point height (extended boom)	2750 / 108.3	<b>L</b> - Ground clearance	200 / 7.9
<b>C</b> - Outreach with lifted boom (extended)	160 / 6.3	<b>M</b> - Angle of departure	19°
<b>D</b> - Outreach with orizontal boom (not extended)	350 / 13.8	<b>M1</b> - Angle of departure (with rear weights)	19°
<b>E</b> - Outreach with orizontal boom (extended)	900 / 35.4	<b>N</b> - Max width (with standard tires)	980 / 38.6
<b>F</b> - Front length	450 / 17.7	<b>O</b> - Dump angle	29°
<b>G</b> - Wheelbase	1150 / 45.3	<b>P</b> - Rollback angle	31°
<b>H</b> - Rear length	790 / 31.1	<b>Q</b> - Height (with standard tires)	1960 / 77.2
<b>H1</b> - Rear length with rear weights	900 / 35.4		

Tires size	Width (N)	Height (Q)
23x8.50-12	980 mm (38.6 in)	1960 mm (77.2 in)
23x10.50-12 ET-25	1090 mm (42.9 in)	1960 mm (77.2 in)
27x8.50-15	1000 mm (39.4 in)	2010 mm (79.1 in)
26x12.00-12 ET-50	1200 mm (47.2 in)	1998 mm (78.6 in)



## 5 SERIES

<http://tiny.cc/5seriesEN>

 TIPPING LOAD <b>1140*</b> kg	 ENGINE POWER <b>28*</b> hp	 SPEED <b>15*</b> km/h	 FLOW RATE <b>42*</b> l/min	 LIFT HEIGHT <b>2,75</b> m
---	--	--	---	--

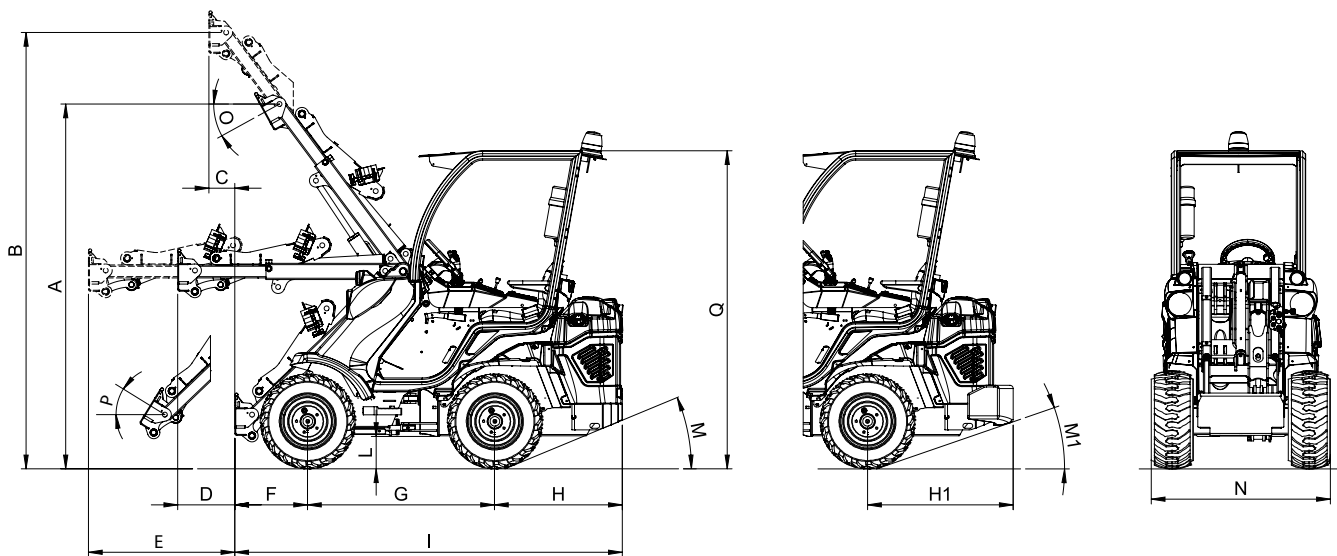
(\*) 5.3

Model	5.2	5.3
Engine	Kubota D902	Yanmar 3TNV76
Power (Iso Gross)	25 HP	28 HP
Fuel	Diesel	
Transmission	Hydrostatic	
Drive speed (max.) <sup>(1)</sup>	14 km/h (8.7 mph)	15 km/h (9.3 mph)
Aux. hydraulics oil flow	34 l/min (9 GPM)	42 l/min (11.1 GPM)
Max. lifting height	2,75 m (108 in)	
Tipping load, max <sup>(2)</sup>	1020 kg (2249 lbs)	1140 kg (2513 lbs)
Lifting capacity straight <sup>(3)</sup>	820 kg (1808 lbs)	900 kg (1984 lbs)
Lifting capacity fully articulated <sup>(4)</sup>	700 kg (1543 lbs)	740 kg (1631 lbs)
Breakout force / 50 cm (19.7 in)	800 kg (1764 lbs)	
Pushing force (c)	900 kgf (900 kp)	
Specific ground pressure (w/standard tires)	833 kg/m <sup>2</sup> (171 lbs/sqft)	759 kg/m <sup>2</sup> (156 lbs/sqft)
Turning radius: inside/outside	890/1890 mm (35/74.4 in)	800/2000 mm (31.5/78.7 in)
Standard tires (Tractor profile)	23x8.50-12	23x10.50-12
Weight	960 kg (2116 lbs)	1050 kg (2315 lbs)
Product Code	C977016	C977037

<sup>(1)</sup> Maximum speed that can be achieved with the largest diameter tires available, on a flat surface and machine without attachments. <sup>(2)</sup> Maximum load that can be lifted just off the ground when the machine is straight, with rear weights and boom not extended. Weight of attachment included. <sup>(3)</sup> Machine straight, with rear weights and boom not extended. Weight of attachment is included. (80% of tipping load) <sup>(4)</sup> Machine fully articulated, with rear weights and boom not extended. Weight of attachment is included.

## 5 SERIES - FEATURES

- Hi-Flow system (only 5.3)
- Hydraulic oil cooler
- Hydraulic multiconnector
- Self-levelling double-H telescopic boom
- Multi-functions joystick (only 5.3)
- ROPS-FOPS Level I
- LCD graphic display with programmed service (tachometer, hour meter, fuel gauge, maintenance light, light indicator and other 14 indicators)
- 4WD hydrostatic Direct Drive motors, proportional servo control
- 2 front working light
- Seat with armrests and seat belt, adjustable position
- Mechanical parking brake
- Dynamic Block System (DBS)
- High efficiency wheel motors



### DIMENSIONS (mm / in)

<b>A</b> - Pivot point height (not extended boom)	2250 / 88.6	<b>I</b> - Machine length	2390 / 94.1
<b>B</b> - Pivot point height (extended boom)	2750 / 108.3	<b>L</b> - Ground clearance	200 / 7.9
<b>C</b> - Outreach with lifted boom (extended)	160 / 6.3	<b>M</b> - Angle of departure	19°
<b>D</b> - Outreach with orizontal boom (not extended)	350 / 13.8	<b>M1</b> - Angle of departure (with rear weights)	19°
<b>E</b> - Outreach with orizontal boom (extended)	900 / 35.4	<b>N</b> - Max width - 5.2 (with standard tires)	980 / 38.6
<b>F</b> - Front length	450 / 17.7	<b>N</b> - Max width - 5.3 (with standard tires)	1090 / 42.9
<b>G</b> - Wheelbase	1150 / 45.3	<b>O</b> - Dump angle	29°
<b>H</b> - Rear length	790 / 31.1	<b>P</b> - Rollback angle	31°
<b>H1</b> - Rear length with rear weights	900 / 35.4	<b>Q</b> - Height (with standard tires)	1960 / 77.2

Tires size	Width (N)	Height (Q)
23x8.50-12	980 mm (38.6 in)	1960 mm (77.2 in)
23x10.50-12 ET-25	1090 mm (42.9 in)	1960 mm (77.2 in)
27x8.50-15	1000 mm (39.4 in)	2010 mm (79.1 in)
26x12.00-12 ET-50	1200 mm (47.2 in)	1998 mm (78.6 in)

## 4 - 5 SERIES - OPTIONS

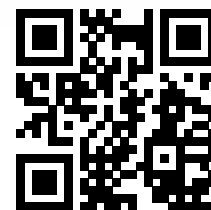
Options	Code
110 V engine block heater	C885255
220 V engine block heater	C885250
3 additional working halogen light	C883064
3 additional working LED light	C883018
Additional front hydraulic outlets (only 5.3)	C883503
Attachment coupling plate for rear mounting	C880031
Backup warning beeper	C883512
Beacon light	C883039
Biodegradable oil	C883058
Driver area cover	C880049
Flat face coupling kit	C880221
Floating boom valve	C885223
Floating boom valve for 4.2 without self-leveling boom	C883401
Fully enclosed cab with sound insulation linen and mirrors	C883510
Heated seat	C885216
Heating system	C885205
Left protection bar for operator	C885026
Multifunction joystick (only 4.2 and 5.2)	C883061
Plexiglass back window (smart cabin)	C883508
Plexiglass right side (smart cabin)	C883507
Plexiglass windscreen (smart cabin)	C883506
Rear 12V electric socket	C883022
Rear bull bar	C883047
Rear hydraulic outlets - double	C883502
Rear hydraulic outlets - single	C883501
Rear weights 180 kg (90 kg + 90 kg) / 396 lbs (198lbs + 198 lbs)	C880054
Skid tires 27x8.50-15, set of 4	C884011
Snow chains for wheel	see page 61
Tie down bracket on wheel hub, set of 4	C883065








## 4 - 5 SERIES - OPTIONS

Options	Code
Torque divider	C883004
Tractor tires 23x10.50-12 ET-25, set of 4	C884007
Tractor tires 23x8.50-12, set of 4	C884005
Tractor tires 26x12.00-12 ET-50, set of 4	C884009
Trailer coupling	C885014
Turf tires 23x10.50-12 ET-25, set of 4	C884008
Turf tires 23x8.50-12, set of 4	C884006
Turf tires 26x12.00-12 ET-50, set of 4	C884010
Warning & Safety lights for road travel with mirrors	C883511
Wheel spacer 10 mm (0.4 in), set of 4 (max. 2 pcs for wheel)	C880090
Wheel spacer 55 mm (2.2 in), set of 4	C885010

## 6 SERIES

<http://tiny.cc/6seriesEN>

 TIPPING LOAD <b>1200</b> kg	 ENGINE POWER <b>28</b> hp	 SPEED <b>15*</b> km/h	 FLOW RATE <b>46</b> l/min	 LIFT HEIGHT <b>2,92</b> m
--	---	--	--	--

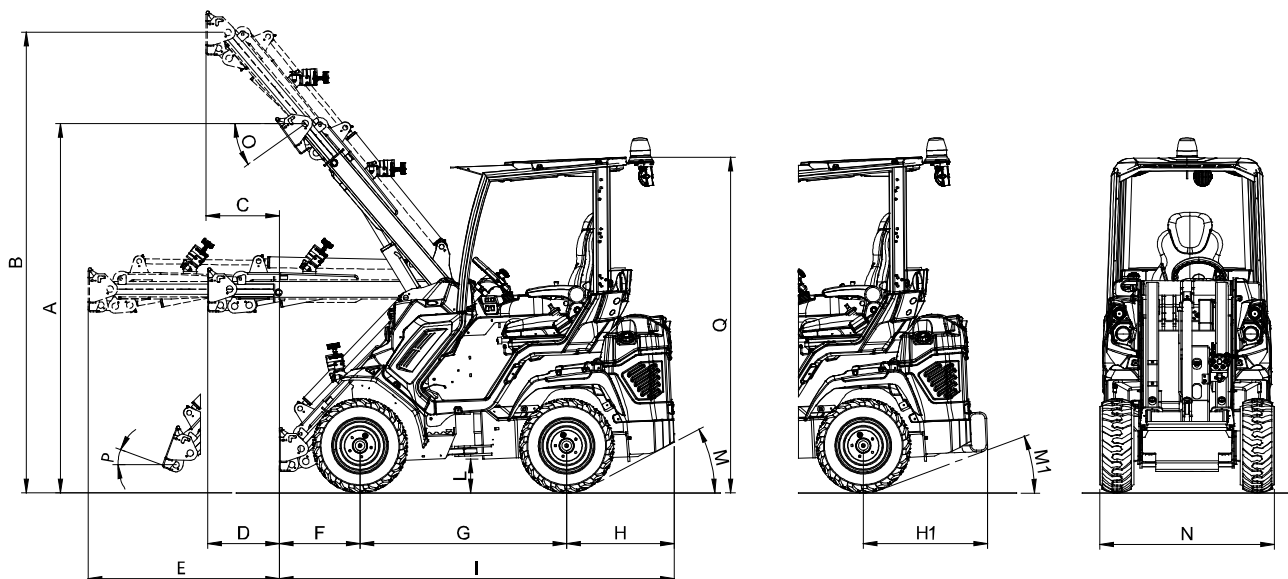
(\*) 6.3S

Model	6.3+	6.3S
Engine	Yanmar 3TNV76	
Power (Iso Gross)	28 HP	
Fuel	Diesel	
Transmission	Hydrostatic	
Drive speed (max.) <sup>(1)</sup>	11 km/h (6.8 mph)	15 km/h (9.3 mph)
Aux. hydraulics oil flow	46 l/min (12.2 GPM)	
Max. lifting height	2,92 m (115 in)	
Tipping load, max <sup>(2)</sup>	1200 kg (2646 lbs)	
Lifting capacity straight <sup>(3)</sup>	960 kg (2116 lbs)	
Lifting capacity fully articulated <sup>(4)</sup>	780 kg (1720 lbs)	
Breakout force / 50 cm	1400 kg (3086 lbs)	
Pushing force (c)	1690 kgf (1690 kp)	1160 kgf (1160 kp)
Specific ground pressure (w/standard tires)	1044 kg/m <sup>2</sup> (214 lbs/sqft)	
Turning radius: inside/outside	905/2020 mm (35.6/79.5 in)	
Standard tires (Tractor profile)	23X8.50-12	
Weight	1430 kg (3153 lbs)	
Product Code	C961010	C961005

<sup>(1)</sup> Maximum speed that can be achieved with the largest diameter tires available, on a flat surface and machine without attachments. <sup>(2)</sup> Maximum load that can be lifted just off the ground when the machine is straight, with rear weights and boom not extended. Weight of attachment included. <sup>(3)</sup> Machine straight, with rear weights and boom not extended. Weight of attachment is included. (80% of tipping load). <sup>(4)</sup> Machine fully articulated, with rear weights and boom not extended. Weight of attachment is included.

## 6 SERIES - FEATURES

- Hi-Flow system
- DBS (Dynamic Block System)
- Multi-functions joystick
- Multi-disk parking brake
- Hydraulic oil cooler
- Hydraulic multiconnector
- Self-levelling double-H telescopic boom
- Radial Piston high efficiency and heavy duty wheel motors
- 4WD hydrostatic Direct Drive motors, proportional servo control
- ROPS-FOPS Level I
- LCD graphic display with programmed service (tachometer, hour meter, fuel gauge, maintenance light, light indicator and other 14 indicators)
- 2 front working light
- Ergonomic full adjustable suspension seat with armrests and seat belt



### DIMENSIONS (mm / in)

<b>A</b> - Pivot point height (not extended boom)	2290 / 90.1	<b>I</b> - Machine length	2445 / 96.3
<b>B</b> - Pivot point height (extended boom)	2920 / 115	<b>L</b> - Ground clearance	210 / 8.3
<b>C</b> - Outreach with lifted boom (extended)	455 / 17.9	<b>M</b> - Angle of departure	28°
<b>D</b> - Outreach with orizontal boom (not extended)	445 / 17.5	<b>M1</b> - Angle of departure (with rear weights)	24°
<b>E</b> - Outreach with orizontal boom (extended)	1185 / 46.6	<b>N</b> - Max width (with standard tires)	1070 / 42
<b>F</b> - Front length	500 / 19.7	<b>O</b> - Dump angle	36°
<b>G</b> - Wheelbase	1280 / 50.4	<b>P</b> - Rollback angle	29°
<b>H</b> - Rear length	665 / 26.2	<b>Q</b> - Height (with standard tires)	2020 / 79.5
<b>H1</b> - Rear length with rear weights	770 / 30.3		

Tires size	Width (N)	Height (Q)
23X8.50-12	1070 mm (42 in)	2020 mm (79.5 in)
23X10.50-12 ET-25	1130 mm (44.5 in)	2020 mm (79.5 in)
26X12.00-12 ET-50	1300 mm (51.2 in)	2040 mm (80.3 in)
27X8.50-15	1070 mm (42 in)	2080 mm (81.9 in)
27X10.50-15	1150 mm (45.3 in)	2080 mm (81.9 in)

## 6 SERIES - OPTIONS

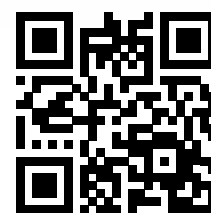
Options	Code
110 V engine block heater	C885255
220 V engine block heater	C885250
3 additional working halogen light	C883064
3 additional working LED light	C883018
Additional front hydraulic outlets	C883024
Attachment coupling plate for rear mounting	C880031
Automatic locking plate	C883038
Backup warning beeper	C883021
Beacon light	C883039
Biodegradable oil	C883007
Driver area cover	C880049
Flat face coupling kit	C880221
Floating boom valve	C883011
Fully enclosed cab with sound insulation linen and mirrors	C883001
Heating system	C883002
High comfort heated seat	C883006
Left protection bar for operator	C883020
Plexiglass back window (smart cabin)	C883035
Plexiglass right side (smart cabin)	C883034
Plexiglass windscreen (smart cabin)	C883000
Rear 12V electric socket	C883022
Rear bull bar	C883047
Rear hydraulic outlets - double	C883014
Rear hydraulic outlets - single	C883013
Rear weights 180 kg (90 kg + 90 kg) / 396 lbs (198lbs + 198 lbs)	C880054
Skid tires 27x10.50-15, set of 4	C884012
Skid tires 27x8.50-15, set of 4	C884011
Snow chains for wheel	see page 61
Tie down bracket on wheel hub, set of 4	C883065







## 6 SERIES - OPTIONS

Options	Code
Torque divider	C883600
Tractor tires 23x10.50-12 ET-25, set of 4	C884007
Tractor tires 26x12.00-12 ET-50, set of 4	C884009
Trailer coupling	C885014
Turf tires 23x10.50-12 ET-25, set of 4	C884008
Turf tires 23x8.50-12, set of 4	C884006
Turf tires 26x12.00-12 ET-50, set of 4	C884010
Warning & Safety lights for road travel (with mirrors)	C883009
Wheel spacer 10 mm (0.4 in), set of 4 (max. 1 pcs for wheel)	C880090
Wheel spacer 55 mm (2.2 in), set of 4	C885010

## 7 SERIES

<http://tiny.cc/7seriesEN>

 TIPPING LOAD <b>1550*</b> kg	 ENGINE POWER <b>35*</b> hp	 SPEED <b>10-20*</b> km/h	 FLOW RATE <b>68*</b> l/min	 LIFT HEIGHT <b>2,9</b> m
---	--	---	---	---

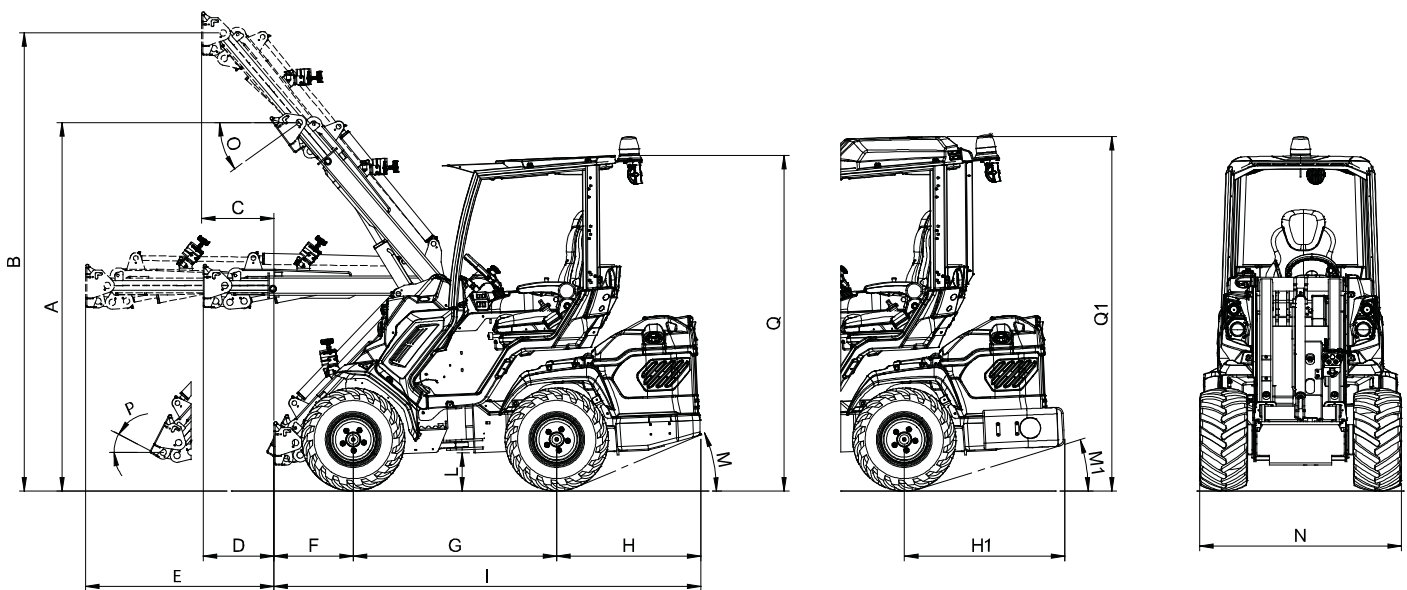
(\*) 7.3S

Model	7.2	7.3+	7.3S (2 speed)
Engine	Yanmar 3TNV76	Yanmar 3TNV82	
Power (Iso Gross)	28 HP	35 HP	
Fuel	Diesel		
Transmission	Hydrostatic		
Drive speed (max.) <sup>(1)</sup>	11 km/h (6.8 mph)	11 km/h (6.8 mph)	10 - 20 km/h (6.2 - 12.4 mph)
Aux. hydraulics oil flow	37 l/min (9.8 GPM)	68 l/min (17.9 GPM)	
Max. lifting height	2,90 m (114 in)		
Tipping load, max <sup>(2)</sup>	1500 kg (3307 lbs)	1550 kg (3417 lbs)	
Lifting capacity straight <sup>(3)</sup>	1200 kg (2645 lbs)	1240 kg (2734 lbs)	
Lifting capacity fully articulated <sup>(4)</sup>	1020 kg (2249 lbs)	1070 kg (2360 lbs)	
Breakout force / 50 cm	1700 kg (3748 lbs)		
Pushing force (c)	1690 kgf (1690 kp)		2000 kgf (2000 kp)
Specific ground pressure (w/standard tires)	1113 kg/m <sup>2</sup> (228 lbs/sqft)	1154 kg/m <sup>2</sup> (236 lbs/sqft)	1168 kg/m <sup>2</sup> (239 lbs/sqft)
Turning radius: inside/outside	825/2090 mm (32.5/82.3 in)		
Standard tires (Tractor profile)	23X10.50-12		
Weight	1610 kg (3549 lbs)	1670 kg (3682 lbs)	1690 kg (3726 lbs)
Product Code	C962015	C962005	C962010

<sup>(1)</sup> Maximum speed that can be achieved with the largest diameter tires available, on a flat surface and machine without attachments. <sup>(2)</sup> Maximum load that can be lifted just off the ground when the machine is straight, with rear weights and boom not extended. Weight of attachment included. <sup>(3)</sup> Machine straight, with rear weights and boom not extended. Weight of attachment is included. (80% of tipping load). <sup>(4)</sup> Machine fully articulated, with rear weights and boom not extended. Weight of attachment is included.

## 7 SERIES - FEATURES

- Hi-Flow system (not available for 7.2)
- DBS (Dynamic Block System)
- Torque divider (optional on 7.2)
- Multi-disk parking brake
- Integrated rear weights
- Hydraulic oil cooler
- Hydraulic multiconnector
- Self-levelling double-H telescopic boom
- Multi-functions joystick (only 7.3+ and 7.3S)
- 4WD hydrostatic Direct Drive motors, proportional servo control
- ROPS-FOPS Level I
- LCD graphic display with programmed service (tachometer, hour meter, fuel gauge, maintenance light, light indicator and other 14 indicators)
- 2 front working light
- Ergonomic full adjustable suspension seat with armrests and seat belt
- 2 speed (only 7.3S)
- Radial piston high efficiency and heavy duty wheel motors



### DIMENSIONS (mm / in)

<b>A</b> - Pivot point height (not extended boom)	2280 / 89.7	<b>I</b> - Machine length	2690 / 105.9
<b>B</b> - Pivot point height (extended boom)	2900 / 114	<b>L</b> - Ground clearance	210 / 8.3
<b>C</b> - Outreach with lifted boom (extended)	455 / 17.9	<b>M</b> - Angle of departure	21°
<b>D</b> - Outreach with orizontal boom (not extended)	445 / 17.5	<b>M1</b> - Angle of departure (with rear weights)	20°
<b>E</b> - Outreach with orizontal boom (extended)	1185 / 46.6	<b>N</b> - Max width (with standard tires)	1130 / 44.5
<b>F</b> - Front length	500 / 19.7	<b>O</b> - Dump angle	36°
<b>G</b> - Wheelbase	1280 / 50.4	<b>P</b> - Rollback angle	29°
<b>H</b> - Rear length	910 / 35.8	<b>Q</b> - Height (with standard tires)	2020 / 79.5
<b>H1</b> - Rear length with rear weights	1010 / 39.7		

Tires size	Width (N)	Height (Q)
23X8.50-12	1070 mm (42.2 in)	2020 mm (79.5 in)
23X10.50-12 ET-25	1130 mm (44.5 in)	2020 mm (79.5 in)
26X12.00-12 ET-50	1280 mm (50.4 in)	2040 mm (80.3 in)
27X8.50-15	1070 mm (42.1 in)	2080 mm (81.9 in)
27X10.50-15	1150 mm (45.3 in)	2080 mm (81.9 in)

## 7 SERIES - OPTIONS

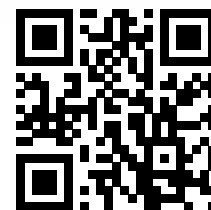
Options	Code
110 V engine block heater	C885255
220 V engine block heater	C885250
3 additional working halogen light	C883064
3 additional working LED light	C883018
Additional front hydraulic outlets (not available for 7.2)	C883024
Attachment coupling plate for rear mounting	C880031
Automatic locking plate	C883038
Backup warning beeper	C883021
Beacon light	C883039
Biodegradable oil	C883007
Driver area cover	C880049
Flat face coupling kit	C880221
Floating boom valve	C883011
Fully enclosed cab with sound insulation linen and mirrors	C883001
Heating system	C883002
High comfort heated seat	C883006
Left protection bar for operator	C883020
Multifunction joystick (only 7.2)	C883702
Plexiglass back window (smart cabin)	C883035
Plexiglass right side (smart cabin)	C883034
Plexiglass windscreen (smart cabin)	C883000
Rear 12V electric socket	C883022
Rear bull bar with side extensions	C883036
Rear hydraulic outlets - double	C883014
Rear hydraulic outlets - single	C883013
Rear weights 180 kg (90 kg + 90 kg) / 396 lbs (198lbs + 198 lbs)	C880054
Skid tires 27x10.50-15, set of 4	C884012
Skid tires 27x8.50-15, set of 4	C884011
Snow chains for wheel	see page 61












## 7 SERIES - OPTIONS

Options	Code
Tie down bracket on wheel hub, set of 4	C883065
Torque divider for 7.2	C883600
Tractor tires 23x8.50-12, set of 4	C884005
Tractor tires 26x12.00-12 ET-50, set of 4	C884009
Trailer coupling	C885014
Turf tires 23x10.50-12 ET-25, set of 4	C884008
Turf tires 23x8.50-12, set of 4	C884006
Turf tires 26x12.00-12 ET-50, set of 4	C884010
Warning & Safety lights for road travel (with mirrors)	C883009
Wheel spacer 10 mm (0.4 in), set of 4 (max. 1 pcs for wheel)	C880090
Wheel spacer 55 mm (2.2 in), set of 4	C885010

## EZ SERIES

<http://tiny.cc/EZ7seriesEN>

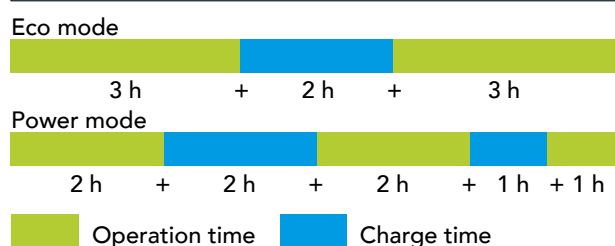
 TIPPING LOAD <b>1600</b> kg	 BATTERY CAPACITY <b>16,5</b> kWh	 SPEED <b>12</b> km/h	 FLOW RATE <b>35</b> l/min	 LIFT HEIGHT <b>2,9</b> m
--	--	---	--	---

 SMART CHARGER	 16,5 kWh CAPACITY	 2 ELECTRIC MOTORS	 LONG OPERATING TIME
---	--	--	--

Model	EZ 7
Transmission	Hydrostatic
Drive speed (max.) <sup>(1)</sup>	12 km/h (7.5 mph)
Aux. hydraulics oil flow	35 l/min (9.3 GPM)
Max. lifting height	2,90 m (114 in)
Tipping load, max <sup>(2)</sup>	1600 kg (3527 lbs)
Lifting capacity straight <sup>(3)</sup>	1280 kg (2822 lbs)
Lifting capacity fully articulated <sup>(4)</sup>	1088 kg (2400 lbs)
Breakout force / 50 cm	1700 kg (3748 lbs)
Pushing force (c)	2050 kgf (kp)
Specific ground pressure (w/standard tires)	1244 kg/m <sup>2</sup> (2743 lbs/sqft)
Turning radius: inside/outside	825/2090 mm (32.5/82.3 in)
Standard tires (Tractor profile)	26X12.00-12
Weight	1800 kg (3968 lbs)
<b>Product Code</b>	<b>C962020</b>

## Electric system and battery

Battery type	Lead Acid
Battery capacity	16,5 kWh
Electric motors	2
Charging system	Integrated charger
Charger type	Sealed single-phase
Charger Input Voltage	110 - 230 ± 10% VAC
Charger Input Frequency	50 ÷ 60 Hz
Charger Absorbed Current	Max. 14 A
Charging Current (230 VAC)	Max. 50 A
Charging Current (120 VAC)	Max. 25 A
Charger plug type	Schuko, CEE 7/7
Charger Protection	Output short-circuit, Inverse polarity
Charger Operating temp.	- 30° to + 70° C

Daily work cycle in hours <sup>(5)</sup>

<sup>(1)</sup> Maximum speed that can be achieved with the largest diameter tires available, on a flat surface and machine without attachments.

<sup>(2)</sup> Maximum load that can be lifted just off the ground when the machine is straight, with rear weights and boom not extended. Weight of attachment included.

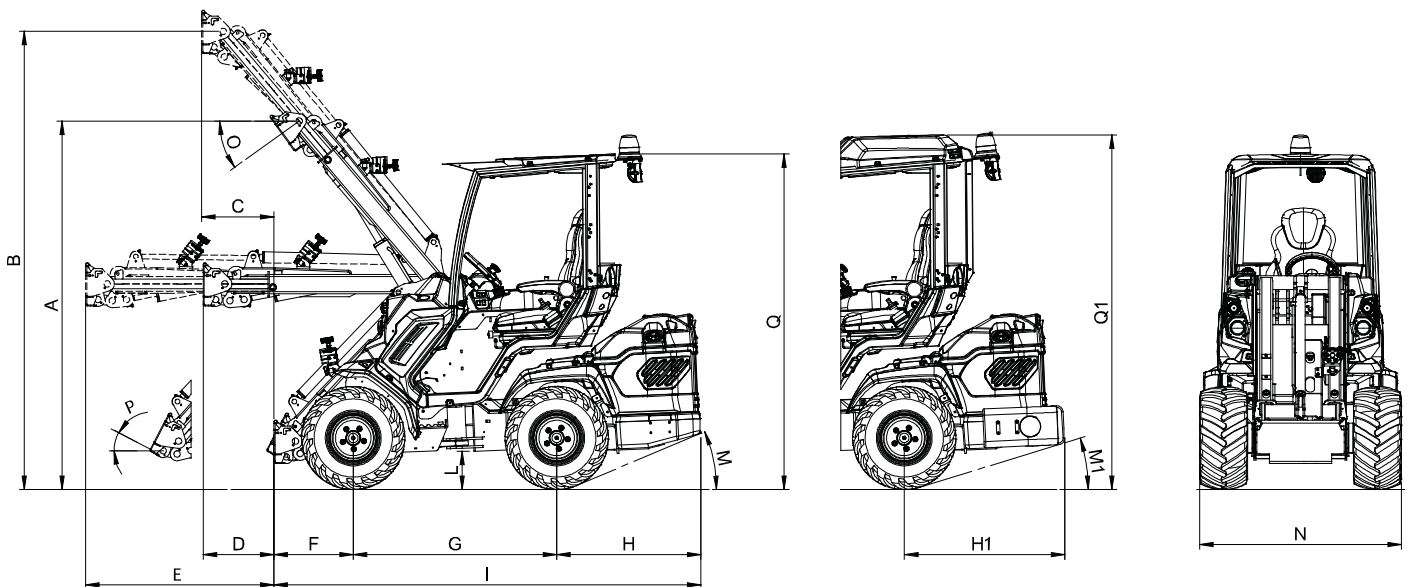
<sup>(3)</sup> Machine straight, with rear weights and boom not extended. Weight of attachment is included. (80% of tipping load).

<sup>(4)</sup> Machine fully articulated, with rear weights and boom not extended. Weight of attachment is included.

<sup>(5)</sup> The operation time of machine varies highly depending on the type of work it is performing.

## EZ7 - FEATURES

- Twin Motors Single Ended Circuits
- Lead Acid Battery
- Integrated Smart Battery Charger
- Zero Emission
- Low Noise
- Braking Energy Recovery System
- 4WD hydrostatic Direct Drive motors, proportional servo control
- DBS (Dynamic Block System)
- Self-levelling double-H telescopic boom
- 4-functions joystick
- Multi-disk parking brake
- LCD graphic display with programmed service (tachometer, hour meter, battery gauge, light indicator and other 14 indicators)
- 2 front led working light
- Ergonomic full adjustable suspension seat with armrests and seat belt
- Radial piston high efficiency and heavy duty wheel motors
- Hydraulic multiconnector
- ROPS-FOPS Level I



### DIMENSIONS (mm / in)

<b>A</b> - Pivot point height (not extended boom)	2280 / 89.7	<b>I</b> - Machine length	2690 / 105.9
<b>B</b> - Pivot point height (extended boom)	2900 / 114	<b>L</b> - Ground clearance	210 / 8.3
<b>C</b> - Outreach with lifted boom (extended)	455 / 17.9	<b>M</b> - Angle of departure	18°
<b>D</b> - Outreach with orizontal boom (not extended)	445 / 17.5	<b>M1</b> - Angle of departure (with rear weights)	16°
<b>E</b> - Outreach with orizontal boom (extended)	1185 / 46.6	<b>N</b> - Max width (with standard tires)	1280 / 50.4
<b>F</b> - Front length	500 / 19.7	<b>O</b> - Dump angle	36°
<b>G</b> - Wheelbase	1280 / 50.4	<b>P</b> - Rollback angle	29°
<b>H</b> - Rear length	910 / 35.8	<b>Q</b> - Height (with standard tires)	2040 / 80.3
<b>H1</b> - Rear length with rear weights	1010 / 39.7		

Tires size	Width (N)	Height (Q)
23X8.50-12	1070 mm (42.2 in)	2020 mm (79.5 in)
23X10.50-12 ET-25	1130 mm (44.5 in)	2020 mm (79.5 in)
26X12.00-12 ET-50	1280 mm (50.4 in)	2040 mm (80.3 in)
27X8.50-15	1070 mm (42.1 in)	2080 mm (81.9 in)
27X10.50-15	1150 mm (45.3 in)	2080 mm (81.9 in)

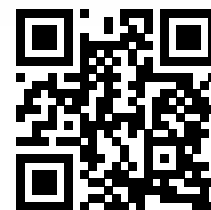
## EZ7 SERIES - OPTIONS






Options	Code
Attachment coupling plate for rear mounting	C880031
Backup warning beeper	C883021
Beacon light	C883039
Biodegradable oil	C883007
Driver area cover	C880049
Flat face coupling kit	C880221
Floating boom valve	C883011
High comfort seat	C883006
Left protection bar for operator	C883020
Multifunction joystick	C883702
Plexiglass back window (smart cabin)	C883035
Plexiglass right side (smart cabin)	C883034
Plexiglass windscreen (smart cabin)	C883000
Rear bull bar with side extensions	C883036
Rear weights 180 kg (90 kg + 90 kg) / 396 lbs (198lbs + 198 lbs)	C880054
Skid tires 27x10.50-15, set of 4	C884012
Skid tires 27x8.50-15, set of 4	C884011
Snow chains for wheel	see page 61
Tie down bracket on wheel hub, set of 4	C883065
Tractor tires 23x10.50-12 ET-25, set of 4	C884007
Tractor tires 23x8.50-12, set of 4	C884005
Trailer coupling	C885014
Turf tires 23x10.50-12 ET-25, set of 4	C884008
Turf tires 23x8.50-12, set of 4	C884006
Turf tires 26x12.00-12 ET-50, set of 4	C884010
Wheel spacer 10 mm (0.4 in), set of 4 (max. 1 pcs for wheel)	C880090
Wheel spacer 55 mm (2.2 in), set of 4	C885010





## 8 SERIES: 8.4+, 8.4S

<http://tiny.cc/8seriesEN>


 TIPPING LOAD <b>1600</b> kg	 ENGINE POWER <b>40</b> hp	 SPEED <b>12-23*</b> km/h	 FLOW RATE <b>72</b> l/min	 LIFT HEIGHT <b>2,98</b> m
--	---	---	--	--

(\*) 8.4S

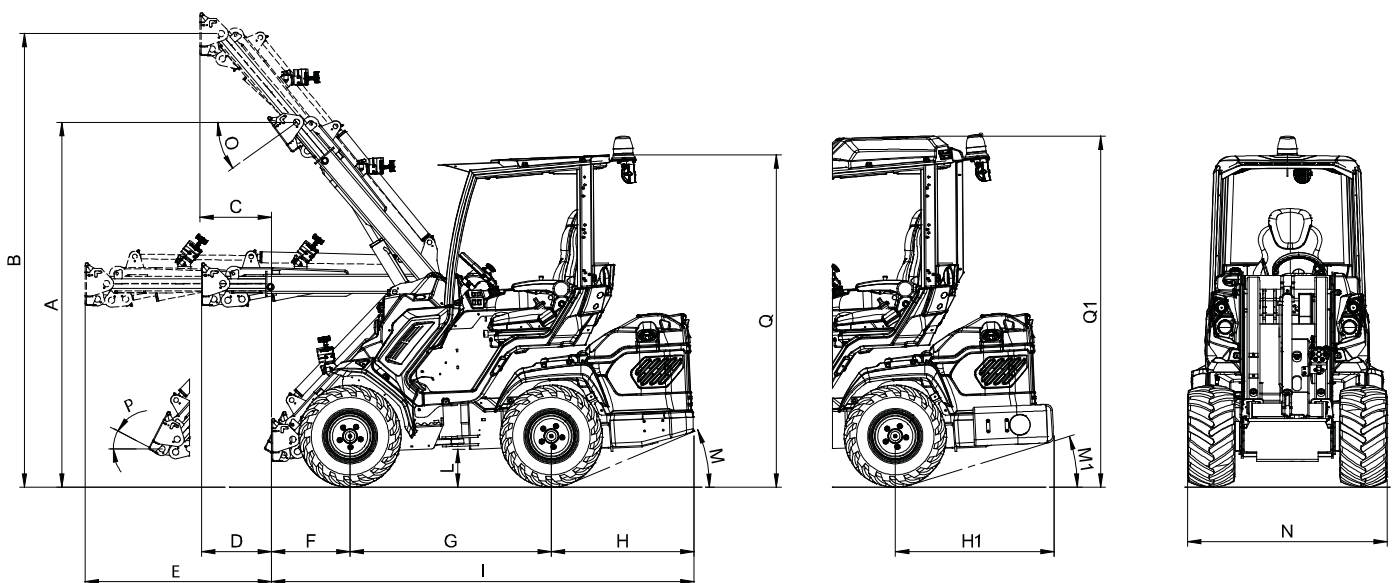


Model	8.4+	8.4S (2 speed)
Engine	Yanmar 3TNV88	
Power (Iso Gross)	40 HP	
Fuel	Diesel	
Transmission	Hydrostatic	
Drive speed (max.) <sup>(1)</sup>	15 km/h (9.3 mph)	12 - 23 km/h (7.5 - 14.3 mph)
Aux. hydraulics oil flow	72 l/min (19 GPM)	
Max. lifting height	2,98 m (117.3 in)	
Tipping load, max <sup>(2)</sup>	1600 kg (3527 lbs)	
Lifting capacity straight <sup>(3)</sup>	1280 kg (2822 lbs)	
Lifting capacity fully articulated <sup>(4)</sup>	1070 kg (2360 lbs)	
Breakout force / 50 cm	1700 kg (3748 lbs)	
Pushing force (c)	2050 kgf (2050 kp)	
Specific ground pressure (w/standard tires)	1051 kg/m <sup>2</sup> (215 lbs/sqft)	1062 kg/m <sup>2</sup> (217 lbs/sqft)
Turning radius: inside/outside	825/2090 mm (32.5/82.3 in)	
Standard tires (Tractor profile)	26X12.00-12	
Weight	1722 kg (3796 lbs)	1740 kg (3836 lbs)
Product Code	C963000	C963005

<sup>(1)</sup> Maximum speed that can be achieved with the largest diameter tires available, on a flat surface and machine without attachments. <sup>(2)</sup> Maximum load that can be lifted just off the ground when the machine is straight, with rear weights and boom not extended. Weight of attachment included. <sup>(3)</sup> Machine straight, with rear weights and boom not extended. Weight of attachment is included. (80% of tipping load). <sup>(4)</sup> Machine fully articulated, with rear weights and boom not extended. Weight of attachment is included.

## 8 SERIES - FEATURES

- Hi-Flow system
- DBS (Dynamic Block System)
- Torque divider
- Multi-functions joystick
- Multi-disk parking brake
- Integrated rear weights
- Self-levelling double-H telescopic boom
- Radial Piston high efficiency and heavy duty wheel motors
- 4WD hydrostatic Direct Drive motors, proportional servo control
- 2 Speed (only 8.4S)
- Hydraulic oil cooler
- Hydraulic multiconnector
- ROPS-FOPS Level I
- LCD graphic display with programmed service (tachometer, hour meter, fuel gauge, maintenance light, light indicator and other 14 indicators)
- 2 front working light
- Ergonomic full adjustable suspension seat with armrests and seat belt



### DIMENSIONS (mm / in)

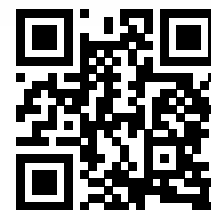
<b>A</b> - Pivot point height (not extended boom)	2320 / 91.3	<b>I</b> - Machine length	2690 / 105.9
<b>B</b> - Pivot point height (extended boom)	2980 / 117.3	<b>L</b> - Ground clearance	240 / 9.5
<b>C</b> - Outreach with lifted boom (extended)	455 / 17.9	<b>M</b> - Angle of departure	23°
<b>D</b> - Outreach with orizontal boom (not extended)	445 / 17.5	<b>M1</b> - Angle of departure (with rear weights)	22°
<b>E</b> - Outreach with orizontal boom (extended)	1185 / 46.6	<b>N</b> - Max width (with standard tires)	1280 / 50.4
<b>F</b> - Front length	500 / 19.7	<b>O</b> - Dump angle	36°
<b>G</b> - Wheelbase	1280 / 50.4	<b>P</b> - Rollback angle	29°
<b>H</b> - Rear length	910 / 35.8	<b>Q</b> - Height (with standard tires)	2040 / 80.3
<b>H1</b> - Rear length with rear weights	1010 / 39.7	<b>Q1</b> - Height with A/C (with standard tires)	2240 / 88.2






Tires size	Width (N)	Height (Q)
23X8.50-12	1070 mm (42.2 in)	2020 mm (79.5 in)
23X10.50-12 ET-25	1130 mm (44.5 in)	2020 mm (79.5 in)
26X12.00-12 ET-50	1280 mm (50.4 in)	2040 mm (80.3 in)
27X8.50-15	1070 mm (42.1 in)	2080 mm (81.9 in)
27X10.50-15	1150 mm (45.3 in)	2080 mm (81.9 in)



## 8 SERIES: 8.5

<http://tiny.cc/8seriesEN>

**KOHLER**  
 ENGINES


 TIPPING LOAD <b>1650</b> kg	 ENGINE POWER <b>57</b> hp	 SPEED <b>14-28</b> km/h	 FLOW RATE <b>75</b> l/min	 LIFT HEIGHT <b>2,98</b> m
--	---	--	--	--


**NEW**

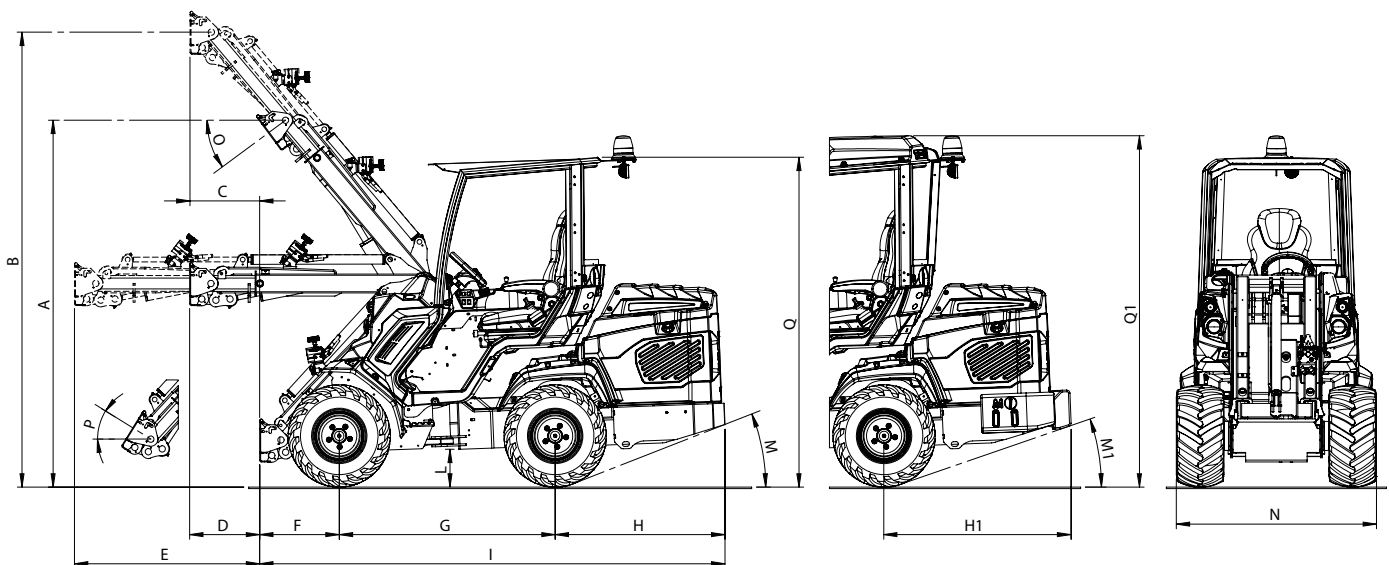
Model	8.5S (2 speed)
Engine	KOHLER KD11903 - 1861 cc - 3 cylinder Turbo common rail - Liquid cooled
Power (Iso Gross)	57 HP
Fuel	Diesel
Transmission	Hydrostatic
Drive speed (max.) <sup>(1)</sup>	14 - 28 km/h (8.7 - 17.4 mph)
Aux. hydraulics oil flow	75 l/min (20 GPM)
Max. lifting height	2,98 m (117.3 in)
Tipping load, max <sup>(2)</sup>	1650 kg (3638 lbs)
Lifting capacity straight <sup>(3)</sup>	1320 kg (2910 lbs)
Lifting capacity fully articulated <sup>(4)</sup>	1100 kg (2425 lbs)
Breakout force / 50 cm	1700 kg (3748 lbs)
Pushing force (c)	2050 kgf (2050 kp)
Specific ground pressure (w/standard tires)	998 kg/m <sup>2</sup> (204 lbs/sqft)
Turning radius: inside/outside	825/2090 mm (32.5/82.3 in)
Standard tires (Tractor profile)	26X12.00-12
Weight	1750 kg (3858 lbs)
Product Code	C964005

<sup>(1)</sup> Maximum speed that can be achieved with the largest diameter tires available, on a flat surface and machine without attachments. <sup>(2)</sup> Maximum load that can be lifted just off the ground when the machine is straight, with rear weights and boom not extended. Weight of attachment included. <sup>(3)</sup> Machine straight, with rear weights and boom not extended. Weight of attachment is included. (80% of tipping load). <sup>(4)</sup> Machine fully articulated, with rear weights and boom not extended. Weight of attachment is included.



## 8.5 - FEATURES

- New Turbo Common Rail Kohler engine (STAGE IIIB - TIER 4 Final)
- ETC - Electronic Throttle Control
- Multifunction Engine Display
- Hi-Flow system
- 4WD hydrostatic Direct Drive motors, proportional servo control
- DBS (Dynamic Block System)
- Torque divider
- Self-levelling double-H telescopic boom
- Multi-functions joystick
- Multi-disk parking brake
- 2 Speed
- Radial Piston high efficiency and heavy duty wheel motors
- Hydraulic oil cooler
- Hydraulic multiconnector
- ROPS-FOPS Level I
- LCD graphic display with programmed service (tachometer, hour meter, fuel gauge, maintenance light, light indicator and other 14 indicators)
- 2 front working light
- Ergonomic full adjustable suspension seat with armrests and seat belt



### DIMENSIONS (mm / in)

<b>A</b> - Pivot point height (not extended boom)	2320 / 91.3	<b>I</b> - Machine length	2950 / 116
<b>B</b> - Pivot point height (extended boom)	2980 / 117.3	<b>L</b> - Ground clearance	240 / 9.5
<b>C</b> - Outreach with lifted boom (extended)	455 / 17.9	<b>M</b> - Angle of departure	21°
<b>D</b> - Outreach with orizontal boom (not extended)	445 / 17.5	<b>M1</b> - Angle of departure (with rear weights)	19°
<b>E</b> - Outreach with orizontal boom (extended)	1185 / 46.6	<b>N</b> - Max width (with standard tires)	1280 / 50.4
<b>F</b> - Front length	500 / 19.7	<b>O</b> - Dump angle	36°
<b>G</b> - Wheelbase	1370 / 53.9	<b>P</b> - Rollback angle	29°
<b>H</b> - Rear length	1080 / 42.5	<b>Q</b> - Height (with standard tires)	2040 / 80.3
<b>H1</b> - Rear length with rear weights	1190 / 46.8	<b>Q1</b> - Height with A/C (with standard tires)	2240 / 88.2

Tires size	Width (N)	Height (Q)
23X8.50-12	1070 mm (42.2 in)	2020 mm (79.5 in)
23X10.50-12 ET-25	1130 mm (44.5 in)	2020 mm (79.5 in)
26X12.00-12 ET-50	1280 mm (50.4 in)	2040 mm (80.3 in)
27X8.50-15	1070 mm (42.1 in)	2080 mm (81.9 in)
27X10.50-15	1150 mm (45.3 in)	2080 mm (81.9 in)

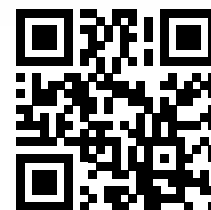
## 8 SERIES - OPTIONS






Options	Code
110 V engine block heater	C885255
220 V engine block heater	C885250
3 additional working halogen light	C883064
3 additional working LED light	C883018
A/C system with heating for fully enclosed cab - for 8.4 models (C883001 required - not aftermarket)	C883800
A/C system with heating for fully enclosed cab - for 8.5 models (C883001 required - not aftermarket)	C883801
Additional front hydraulic outlets	C883024
Attachment coupling plate for rear mounting	C880031
Automatic locking plate	C883038
Backup warning beeper	C883021
Beacon light	C883039
Biodegradable oil	C883007
Driver area cover	C880049
Flat face coupling kit	C880221
Floating boom valve	C883011
Fully enclosed cab with sound insulation linen and mirrors	C883001
Heating system	C883002
High comfort heated seat	C883006
Left protection bar for operator	C883020
Plexiglass back window (smart cabin)	C883035
Plexiglass right side (smart cabin)	C883034
Plexiglass windscreen (smart cabin)	C883000
Rear 12V electric socket	C883022
Rear bull bar with side extensions for 8.4	C883036
Rear bull bar with side extensions for 8.5	C883066
Rear hydraulic outlets - double	C883014
Rear hydraulic outlets - single	C883013
Rear weights 180 kg (90 kg + 90 kg) / 396 lbs (198lbs + 198 lbs)	C880054
Skid tires 27x10.50-15, set of 4	C884012

## 8 SERIES - OPTIONS

Options	Code
Skid tires 27x8.50-15, set of 4	C884011
Snow chains for wheel	see page 61
Tie down bracket on wheel hub, set of 4	C883065
Tractor tires 23x10.50-12 ET-25, set of 4	C884007
Tractor tires 23x8.50-12, set of 4	C884005
Trailer coupling	C885014
Turf tires 23x10.50-12 ET-25, set of 4	C884008
Turf tires 23x8.50-12, set of 4	C884006
Turf tires 26x12.00-12 ET-50, set of 4	C884010
Warning & Safety lights for road travel (with mirrors)	C883009
Wheel spacer 10 mm (0.4 in), set of 4 (max. 1 pcs for wheel)	C880090
Wheel spacer 55 mm (2.2 in), set of 4	C885010

## 9 SERIES

<http://tiny.cc/9seriesEN>**KOHLER**  
ENGINES

 TIPPING LOAD <b>2600</b> kg	 ENGINE POWER <b>57*</b> hp	 SPEED <b>30*</b> km/h	 FLOW RATE <b>95*</b> l/min	 LIFT HEIGHT <b>3,21</b> m
--	---	--	---	--

(\*) 9.6

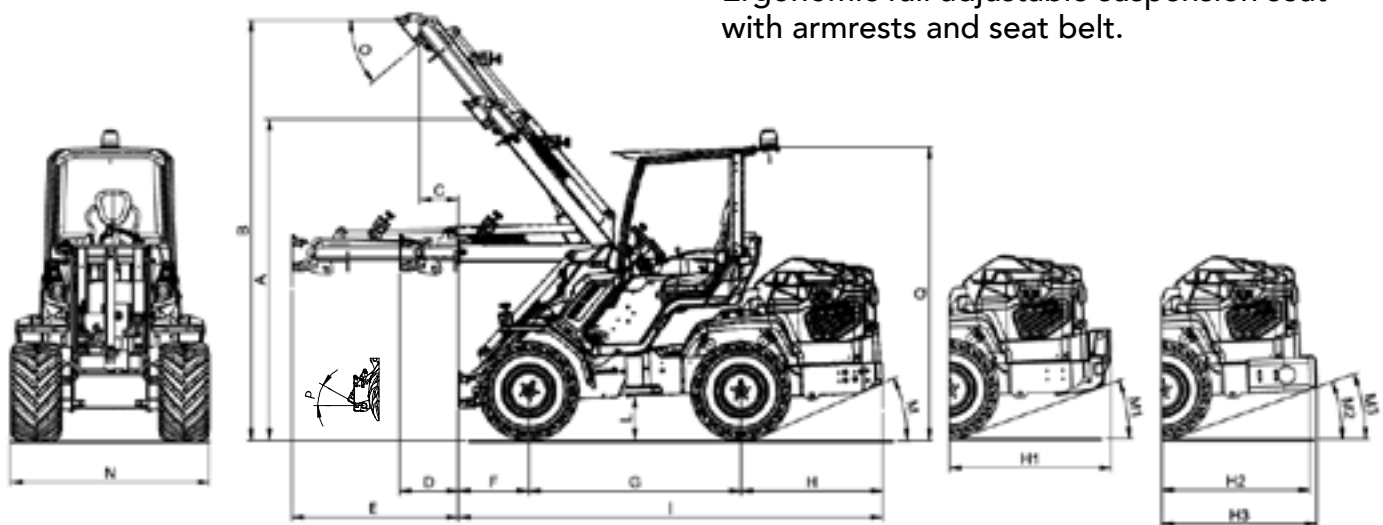


Model	9.5	9.6
Engine	Yanmar 4TNV88	Kohler 1903 TCR
Power (Iso Gross)	50 HP	57 HP
Fuel	Diesel	Diesel
Transmission	Hydrostatic	
Drive speed (max.) - 2 speed <sup>(1)</sup>	12-25 km/h (7.5-15.5 mph)	15-30 km/h (9.3-18.6 mph)
Aux. hydraulics oil flow	85 l/min (22.5 GPM)	95 l/min (25 GPM)
Max. lifting height	3,21 m (126.4 in)	
Tipping load, max <sup>(2)</sup>	2600 kg (5732 lbs)	
Lifting capacity straight <sup>(3)</sup>	2080 kg (4585 lbs)	
Lifting capacity fully articulated <sup>(4)</sup>	1600 kg (3527 lbs)	
Breakout force / 50 cm	2200 kg (4850 lbs)	
Pushing force (c)	1950 kgf (1950 kp)	
Specific ground pressure <sup>(w/standard tires)</sup>	843 kg/m <sup>2</sup> (172 lbs/sqft)	858 kg/m <sup>2</sup> (175 lbs/sqft)
Turning radius: inside/outside	1030/2550 mm (40.5/100.4 in)	
Standard tires (Tractor profile)	31X15.50-15 (400/50-15)	
Weight	2025 kg (4464 lbs)	2060 kg (4541 lbs)
Product Code	C965000	C965005

<sup>(1)</sup> Maximum speed that can be achieved with the largest diameter tires available, on a flat surface and machine without attachments. <sup>(2)</sup> Maximum load that can be lifted just off the ground when the machine is straight, with rear weights and boom not extended. Weight of attachment included. <sup>(3)</sup> Machine straight, with rear weights and boom not extended. Weight of attachment is included. (80% of tipping load). <sup>(4)</sup> Machine fully articulated, with rear weights and boom not extended. Weight of attachment is included.

## 9 SERIES - FEATURES

- 9.6 with New Turbo Common Rail Kohler engine (STAGE IIIB, TIER 4 Final, STAGE V ready)
- ETC - Electronic Throttle Control (9.6 only)
- Multifunction Engine Display (9.6 only)
- Hi-Flow system
- DBS (Dynamic Block System)
- Torque divider
- Hydraulic oil cooler
- Hydraulic multiconnector
- Multi-functions joystick
- Multi-disk parking brake
- 4WD hydrostatic Direct Drive motors, proportional servo control
- 2 Speed
- Self-levelling double-H telescopic boom
- Radial Piston high efficiency and heavy duty wheel motors
- ROPS-FOPS Level I
- LCD graphic display with programmed service (tachometer, hour meter, fuel gauge, maintenance light, light indicator and other 14 indicators)
- 2 front working light
- Ergonomic full adjustable suspension seat with armrests and seat belt.



### DIMENSIONS (mm / in)

<b>A</b> - Pivot point height (not extended boom)	2530 / 99.6	<b>I</b> - Machine length (w/o rear weights)	3200 / 126
<b>B</b> - Pivot point height (extended boom)	3210 / 126.4	<b>L</b> - Ground clearance	340 / 13.4
<b>C</b> - Outreach with lifted boom (extended)	460 / 18	<b>M</b> - Angle of departure (w/o rear weights)	24°
<b>D</b> - Outreach with orizontal boom (not extended)	460 / 18	<b>M1</b> - Angle of departure (w/ 440 kg rear weights)	19°
<b>E</b> - Outreach with orizontal boom (extended)	1256 / 49.5	<b>M2</b> - Angle of departure (w/ 180 kg rear weights - side)	21°
<b>F</b> - Front length	530 / 20.8	<b>M3</b> - Angle of departure (w/ 180 kg rear weights - rear)	21°
<b>G</b> - Wheelbase	1600 / 63	<b>N</b> - Max width (w/ standard tires)	1500 / 59
<b>H</b> - Rear length (w/o rear weights)	1070 / 42	<b>O</b> - Dump angle	31°
<b>H1</b> - Rear length (w/ 440 kg rear weights)	1225 / 48.2	<b>P</b> - Rollback angle	29°
<b>H2</b> - Rear length (w/ 180 kg rear weights - side)	1115 / 43.9	<b>Q</b> - Height (w/ standard tires)	2150 / 84.6
<b>H3</b> - Rear length (w/ 180 kg rear weights - rear)	1170 / 46	<b>Q1</b> - Height with A/C (w/ standard tires)	2350 / 92.5

Tires size	Width (N)	Height (Q)
31X15.50-15	1500 mm (59 in)	2150 mm (84.6 in)
27X10.50-15	1370 mm (54 in)	2100 mm (83 in)
27X8.50-15	1320 mm (52 in)	2100 mm (83 in)
26X12.00-12 ET0	1410 mm (55.5 in)	2090 mm (82.5 in)
26X12.00-12 ET-50	1510 mm (59.4 in)	2090 mm (82.5 in)



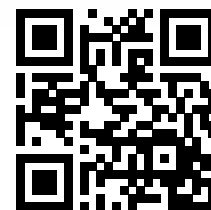
## 9 SERIES - OPTIONS






Options	Code
110 V engine block heater	C885255
220 V engine block heater	C885250
3 additional working halogen light	C883064
3 additional working LED light	C883018
A/C system with heating for fully enclosed cab - only 9.5 (C883001 required - not aftermarket)	C883900
A/C system with heating for fully enclosed cab - only 9.6 (C883001 required - not aftermarket)	C883902
Additional front hydraulic outlets	C883026
Attachment coupling plate for rear mounting	C880031
Automatic locking plate	C883008
Backup warning beeper	C883021
Beacon light	C883039
Biodegradable oil	C883032
Driver area cover	C880049
Flat face coupling kit	C880221
Floating boom valve	C883011
Fully enclosed cab with sound insulation linen and mirrors	C883001
Heating system	C883002
High comfort heated seat	C883006
Left protection bar for operator	C883020
Plexiglass back window (smart cabin)	C883035
Plexiglass right side (smart cabin)	C883034
Plexiglass windscreen (smart cabin)	C883000
Rear 12V electric socket	C883023
Rear bull bar with side extensions	C883037
Rear hydraulic outlets - double	C883016
Rear hydraulic outlets - single	C883015
Rear weights (440 kg / 970 lbs)	C885025
Rear weights 180 kg (90 kg + 90 kg) / 396 lbs (198lbs + 198 lbs)	C880054
Skid tires 27x10.50-15, set of 4	C884012

## 9 SERIES - OPTIONS

Options	Code
Skid tires 27x8.50-15, set of 4	C884011
Snow chains for wheel	see page 61
Tie down bracket on wheel hub, set of 4	C883065
Tractor tires 26x12.00-12 ET-50, set of 4	C884009
Trailer coupling	C885017
Turf tires 26x12.00-12 ET-50, set of 4	C884010
Turf tires 400/50-15, set of 4	C884013
Warning & Safety lights for road travel (with mirrors)	C883010
Wheel spacer 10 mm (0.4 in), set of 4 (max. 1 pcs for wheel)	C880090
Wheel spacer 55 mm (2.2 in), set of 4	C885010

## 10 SERIES: 10.9

<http://tiny.cc/10seriesEN>**KOHLER  
ENGINES**

 TIPPING LOAD <b>2700</b> kg	 ENGINE POWER <b>75</b> hp	 SPEED <b>32/40</b> km/h	 FLOW RATE <b>95</b> l/min	 LIFT HEIGHT <b>3,21</b> m
--	---	--	--	--

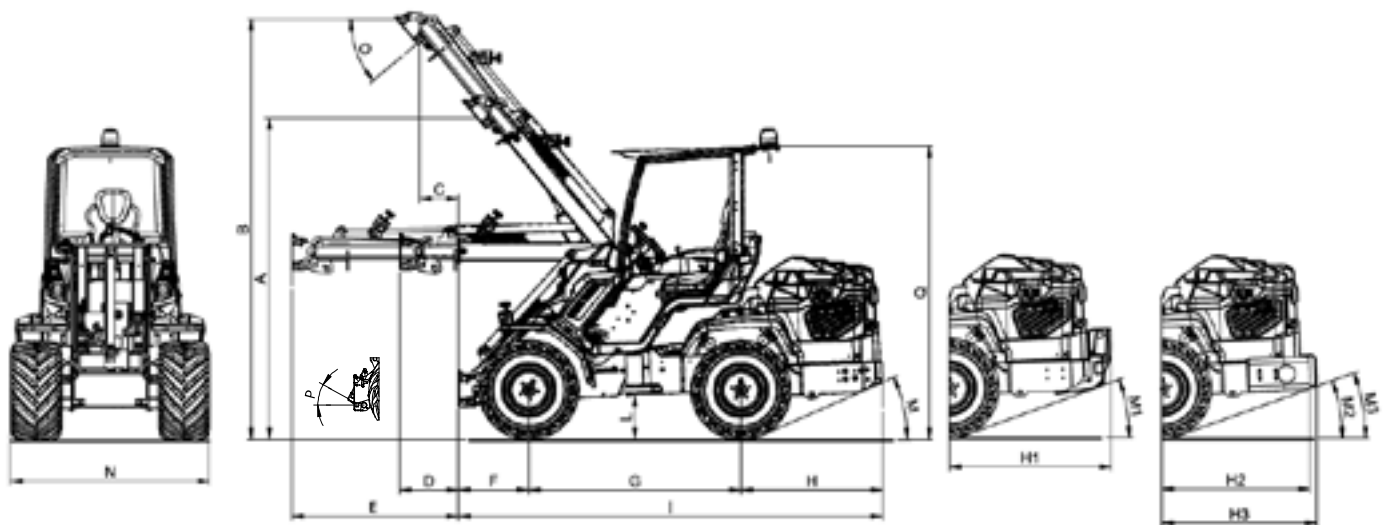


Model	10.9
Engine	Kolher 2504TCR
Power (Iso Gross)	75 HP
Fuel	Diesel
Transmission	Hydrostatic
Drive speed (max.) - 2 speed <sup>(1)</sup>	16 - 32 km/h (10 - 20 mph) 20 - 40 km/h (12.4 - 24.8 mph) - optional
Aux. hydraulics oil flow	95 l/min (25 GPM)
Max. lifting height	3,21 m (126.4 in)
Tipping load, max <sup>(2)</sup>	2700 kg (5952 lbs)
Lifting capacity straight <sup>(3)</sup>	2160 kg (4762 lbs)
Lifting capacity fully articulated <sup>(4)</sup>	1700 kg (3748 lbs)
Breakout force / 50 cm	2600 kg (5732 lbs)
Pushing force (c)	2650 kgf (2650 kp)
Specific ground pressure (w/standard tires)	874 kg/m <sup>2</sup> (179 lbs/sqft)
Turning radius: inside/outside	1030/2550 mm (40.5/100.4 in)
Standard tires (Tractor profile)	31X15.50-15 (400/50-15)
Weight	2100 kg (4630 lbs)
Product Code	<b>C966005</b>

<sup>(1)</sup> Maximum speed that can be achieved with the largest diameter tires available, on a flat surface and machine without attachments. <sup>(2)</sup> Maximum load that can be lifted just off the ground when the machine is straight, with rear weights and boom not extended. Weight of attachment included. <sup>(3)</sup> Machine straight, with rear weights and boom not extended. Weight of attachment is included. (80% of tipping load). <sup>(4)</sup> Machine fully articulated, with rear weights and boom not extended. Weight of attachment is included.

## 10.9 - FEATURES

- New Turbo Common Rail Kohler engine (STAGE IIIB, TIER 4 Final, STAGE V ready)
- ETC - Electronic Throttle Control
- Multifunction Engine Display
- Hi-Flow system
- DBS (Dynamic Block System)
- Torque divider
- Engine power control
- Multi-functions joystick
- Self-levelling double-H telescopic boom
- Multi-disk parking brake
- Radial Piston high efficiency and heavy duty wheel motors
- 4WD hydrostatic Direct Drive motors, proportional servo control
- 2 Speed
- Hydraulic oil cooler
- Hydraulic multiconnector
- ROPS-FOPS Level I
- LCD graphic display with programmed service (tachometer, hour meter, fuel gauge, maintenance light, light indicator and other 14 indicators)
- 2 front working light
- Ergonomic full adjustable suspension seat with armrests and seat belt.



### DIMENSIONS (mm / in)

<b>A</b> - Pivot point height (not extended boom)	2530 / 99.6	<b>I</b> - Machine length (w/o rear weights)	3200 / 126
<b>B</b> - Pivot point height (extended boom)	3210 / 126.4	<b>L</b> - Ground clearance	340 / 13.4
<b>C</b> - Outreach with lifted boom (extended)	460 / 18	<b>M</b> - Angle of departure (w/o rear weights)	24°
<b>D</b> - Outreach with orizontal boom (not extended)	460 / 18	<b>M1</b> - Angle of departure (w/ 440 kg rear weights)	19°
<b>E</b> - Outreach with orizontal boom (extended)	1256 / 49.5	<b>M2</b> - Angle of departure (w/ 180 kg rear weights - side)	21°
<b>F</b> - Front length	530 / 20.8	<b>M3</b> - Angle of departure (w/ 180 kg rear weights - rear)	21°
<b>G</b> - Wheelbase	1600 / 63	<b>N</b> - Max width (w/ standard tires)	1500 / 59
<b>H</b> - Rear length (w/o rear weights)	1070 / 42	<b>O</b> - Dump angle	31°
<b>H1</b> - Rear length (w/ 440 kg rear weights)	1225 / 48.2	<b>P</b> - Rollback angle	29°
<b>H2</b> - Rear length (w/ 180 kg rear weights - side)	1115 / 43.9	<b>Q</b> - Height (w/ standard tires)	2150 / 84.6
<b>H3</b> - Rear length (w/ 180 kg rear weights - rear)	1170 / 46	<b>Q1</b> - Height with A/C (w/ standard tires)	2350 / 92.5

Tires size	Width (N)	Height (Q)
31X15.50-15	1500 mm (59 in)	2150 mm (84.6 in)
27X10.50-15	1370 mm (54 in)	2100 mm (83 in)
27X8.50-15	1320 mm (52 in)	2100 mm (83 in)
26X12.00-12 ET0	1410 mm (55.5 in)	2090 mm (82.5 in)
26X12.00-12 ET-50	1510 mm (59.4 in)	2090 mm (82.5 in)

## 10.9 - OPTIONS

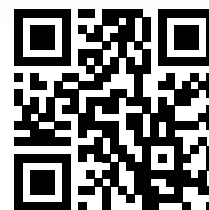
Options	Code
110 V engine block heater	C885255
220 V engine block heater	C885250
3 additional working halogen light	C883064
3 additional working LED light	C883018
A/C system with heating for fully enclosed cab (C883001 required - not aftermarket)	C883902
Additional front hydraulic outlets	C883026
Attachment coupling plate for rear mounting	C880031
Automatic locking plate	C883008
Backup warning beeper	C883021
Beacon light	C883039
Biodegradable oil	C883032
Driver area cover	C880049
Flat face coupling kit	C880221
Floating boom valve	C883011
Fully enclosed cab with sound insulation linen and mirrors	C883001
Heating system	C883002
High comfort heated seat	C883006
Left protection bar for operator	C883020
Plexiglass back window (smart cabin)	C883035
Plexiglass right side (smart cabin)	C883034
Plexiglass windscreen (smart cabin)	C883000
Rear 12V electric socket	C883023
Rear bull bar with side extensions	C883037
Rear hydraulic outlets - double	C883016
Rear hydraulic outlets - single	C883015
Rear weights (440 kg / 970 lbs)	C885025
Rear weights 180 kg (90 kg + 90 kg) / 396 lbs (198lbs + 198 lbs)	C880054
Skid tires 27x10.50-15, set of 4	C884012
Skid tires 27x8.50-15, set of 4	C884011








## 10.9 - OPTIONS

Options	Code
Snow chains for wheel	see page 61
Tie down bracket on wheel hub, set of 4	C883065
Tractor tires 26x12.00-12 ET-50, set of 4	C884009
Trailer coupling	C885017
Turf tires 26x12.00-12 ET-50, set of 4	C884010
Turf tires 400/50-15, set of 4	C884013
Warning & Safety lights for road travel (with mirrors)	C883010
Wheel spacer 10 mm (0.4 in), set of 4 (max. 1 pcs for wheel)	C880090
Wheel spacer 55 mm (2.2 in), set of 4	C885010

## SD SERIES: 6.3SD, 7.3SD, 8.4SD

<http://tiny.cc/7SDseriesEN>

 TIPPING LOAD <b>1610*</b> kg	 ENGINE POWER <b>40*</b> hp	 SPEED <b>17*</b> km/h	 FLOW RATE <b>37*</b> l/min	 LIFT HEIGHT <b>2,9</b> m
---	---	--	---	---

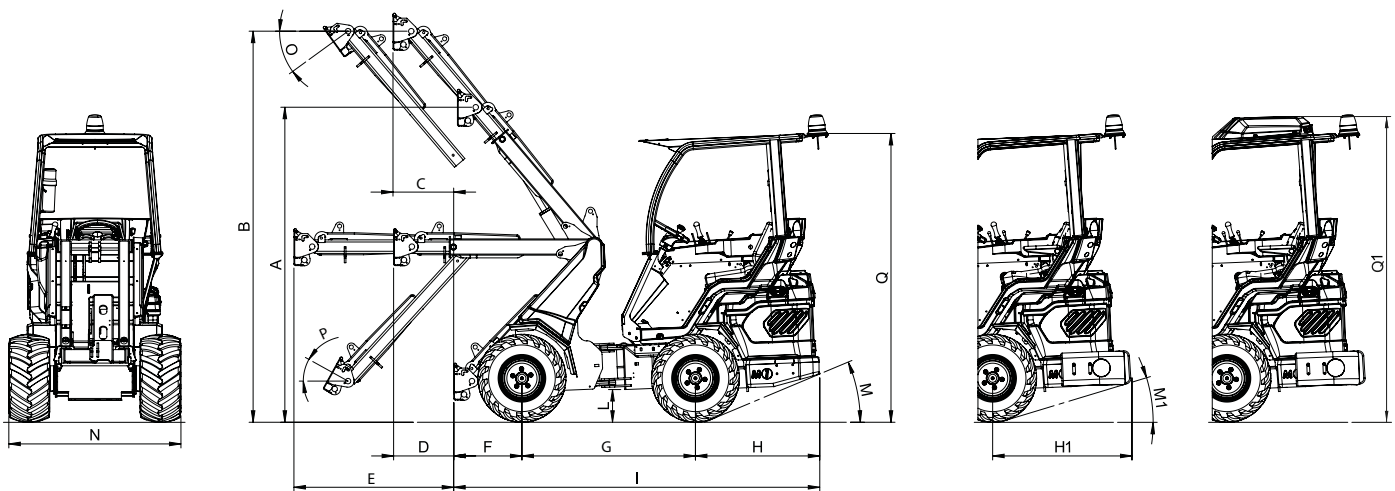
(\*) 8.4SD

Model	6.3 SD	7.3 SD	8.4 SD
Engine	Yanmar 3TNV76	Yanmar 3TNV82	Yanmar 3TNV88
Power (Iso Gross)	28 HP	35 HP	40 HP
Fuel	Diesel		
Transmission	Hydrostatic		
Drive speed (max.) <sup>(1)</sup>	14 km/h (8.7 mph)	15 km/h (9.3 mph)	17 km/h (10.5 mph)
Aux. hydraulics oil flow	31 l/min (8.2 GPM)	37 l/min (9.8 GPM)	37 l/min (9.8 GPM)
Max. lifting height	2,90 m (114 in)		
Tipping load, max <sup>(2)</sup>	1500 kg (3307 lbs)	1580 kg (3483 lbs)	1610 kg (3549 lbs)
Lifting capacity straight <sup>(3)</sup>	1200 kg (2645 lbs)	1260 kg (2778 lbs)	1290 kg (2844 lbs)
Lifting capacity fully articulated <sup>(4)</sup>	900 kg (1984 lbs)	1100 kg (2425 lbs)	1230 kg (2712 lbs)
Breakout force / 50 cm	1400 kg (3086 lbs)	1700 kg (3748 lbs)	1700 kg (3748 lbs)
Pushing force (c)	1000 kgf (1000 kp)	1200 kgf (1200 kp)	1200 kgf (1200 kp)
Specific ground pressure (w/standard tires)	1113 kg/m <sup>2</sup> (228 lbs/sqft)	1175 kg/m <sup>2</sup> (240 lbs/sqft)	1230 kg/m <sup>2</sup> (252 lbs/sqft)
Turning radius: inside/outside	825/2090 mm (32.5/82.3 in)		
Standard tires (Tractor profile)	23X8.50-12	23X10.50-12	26X12.00-12
Weight	1610 kg (3549 lbs)	1700 kg (3748 lbs)	1780 kg (3924 lbs)
Product Code	C967000	C967100	C967200

<sup>(1)</sup> Maximum speed that can be achieved with the largest diameter tires available, on a flat surface and machine without attachments.<sup>(2)</sup> Maximum load that can be lifted just off the ground when the machine is straight, with rear weights and boom not extended. Weight of attachment included. <sup>(3)</sup> Machine straight, with rear weights and boom not extended. Weight of attachment is included. (80% of tipping load).<sup>(4)</sup> Machine fully articulated, with rear weights and boom not extended. Weight of attachment is included.

## SD SERIES - FEATURES

- DBS (Dynamic Block System)
- Integrated rear weights
- 4-functions joystick
- Hydraulic oil cooler
- Hydraulic multiconnector
- ROPS-FOPS Level I
- Self-levelling double-H telescopic boom
- 4WD hydrostatic Direct Drive motors, proportional servo control
- 2 front working light
- LCD graphic display with programmed service (tachometer, hour meter, fuel gauge, maintenance light, light indicator and other 14 indicators)
- Ergonomic full adjustable spring seat with armrests and seat belt
- Mechanical parking brake
- Ready to fit cabin
- High efficiency wheel motors



### DIMENSIONS (mm / in)

<b>A</b> - Pivot point height (not extended boom)	2290 / 90	<b>M</b> - Angle of departure (w/o rear weights)	21°
<b>B</b> - Pivot point height (extended boom)	2900 / 114	<b>M1</b> - Angle of departure (w/ rear weights)	15°
<b>C</b> - Outreach with lifted boom (extended)	455 / 17.9	<b>N</b> - Max width 6.3SD (w/ standard tires)	1070 / 42.1
<b>D</b> - Outreach with orizontal boom (not extended)	445 / 17.5	<b>N</b> - Max width 7.3 SD (w/ standard tires)	1130 / 44.5
<b>E</b> - Outreach with orizontal boom (extended)	1185 / 46.6	<b>N</b> - Max width 8.4SD (w/ standard tires)	1300 / 51.2
<b>F</b> - Front length	500 / 19.7	<b>O</b> - Dump angle	36°
<b>G</b> - Wheelbase	1280 / 50.4	<b>P</b> - Rollback angle	29°
<b>H</b> - Rear length (w/o rear weights)	910 / 35.8	<b>Q</b> - Height 6.3SD - 7.3 SD (w/ standard tires)	2100 / 82.7
<b>H1</b> - Rear length (w/ rear weights)	1010 / 37.9	<b>Q</b> - Height 8.4 SD (w/ standard tires)	2140 / 84.2
<b>I</b> - Machine length (w/o rear weights)	2690 / 105.9	<b>Q1</b> - Height 8.4 SD (w/ standard tires and AC)	2340 / 92.1
<b>L</b> - Ground clearance	210 / 8.3		

Tires size	Width (N)	Height (Q)
26X12.00-12 ET-50	1300 mm (51.2 in)	2140 mm (84.2 in)
27X10.50-15	1150 mm (45.3 in)	2180 mm (85.8 in)
23X10.50-12 ET-25	1130 mm (44.5 in)	2100 mm (82.7 in)
27X8.50-15	1070 mm (42.1 in)	2180 mm (85.8 in)
23X8.50-12	1070 mm (42.1 in)	2100 mm (82.7 in)

## SD SERIES - OPTIONS

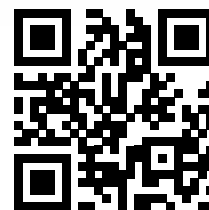
Options	Code
110 V engine block heater	C885255
220 V engine block heater	C885250
3 additional working halogen light	C883064
3 additional working LED light	C883018
9 - function joystick	C883041
A/C system with heating for fully enclosed cab - (only 8.4 SD) (C883044 required - not aftermarket)	C883804
Additional front hydraulic outlets (only 7.3 SD - 8.4 SD, C883054 required)	C883055
Attachment coupling plate for rear mounting	C880031
Automatic locking plate	C883051
Backup warning beeper	C883021
Beacon light	C883039
Biodegradable oil	C883058
Drive motors power kit 6.3 SD (torque +25%, speed -20%)	C883603
Drive motors power kit 7.3 SD and 8.4 SD (torque +25%, speed -20%)	C883040
Driver area cover	C880049
Flat face coupling kit	C880221
Floating boom valve	C883060
Fully enclosed cab with sound insulation linen and mirrors	C883044
Heated seat	C885216
Heating system	C883033
Hi-Flow (only 7.3 SD - 8.4 SD, C883041 required)	C883054
Left protection bar for operator	C883052
Plexiglass back window (smart cabin)	C883057
Plexiglass right side (smart cabin)	C883056
Plexiglass windscreen (smart cabin)	C883046
Rear 12V electric socket	C883050
Rear bull bar with side extensions	C883036
Rear hydraulic outlets - double	C883048
Rear hydraulic outlets - single	C883049






## SD SERIES - OPTIONS

Options	Code
Rear weights 180 kg (90 kg + 90 kg) / 396 lbs (198lbs + 198 lbs)	C880054
Skid tires 27x10.50-15, set of 4	C884012
Skid tires 27x8.50-15, set of 4	C884011
Snow chains for wheel	see page 61
Tie down bracket on wheel hub, set of 4	C883065
Torque divider	C883004
Tractor tires 23x10.50-12 ET-25, set of 4 (only 6.3SD and 8.4SD)	C884007
Tractor tires 23x8.50-12, set of 4 (only 7.3SD and 8.4 SD)	C884005
Tractor tires 26x12.00-12 ET-50, set of 4 (only 6.3SD and 7.3SD)	C884009
Trailer coupling	C885014
Turf tires 23x10.50-12 ET-25, set of 4	C884008
Turf tires 23x8.50-12, set of 4	C884006
Turf tires 26x12.00-12 ET-50, set of 4	C884010
Warning & Safety lights for road travel (with mirrors)	C883045
Wheel spacer 10 mm (0.4 in), set of 4 (max. 1 pcs for wheel)	C880090
Wheel spacer 55 mm (2.2 in), set of 4	C885010



## SD SERIES: 9.5 SD

<http://tiny.cc/9SDseriesEN>

 TIPPING LOAD <b>2650</b> kg	 ENGINE POWER <b>50</b> hp	 SPEED <b>18</b> km/h	 FLOW RATE <b>51</b> l/min	 LIFT HEIGHT <b>3,21</b> m
--	--	---	--	--

Model	9.5 SD
Engine	Yanmar 4TNV88
Power (Iso Gross)	50 HP
Fuel	Diesel
Transmission	Hydrostatic
Drive speed (max.) <sup>(1)</sup>	18 km/h (11.2 mph)
Aux. hydraulics oil flow	51 l/min (13.5 GPM)
Max. lifting height	3,21 m (126.4 in)
Tipping load, max <sup>(2)</sup>	2650 kg (5842 lbs)
Lifting capacity straight <sup>(3)</sup>	2120 kg (4674 lbs)
Lifting capacity fully articulated <sup>(4)</sup>	1650 kg (3638 lbs)
Breakout force / 50 cm	2200 kg (4850 lbs)
Pushing force (c)	1550 kgf (1550 kp)
Specific ground pressure (w/standard tires)	856 kg/m <sup>2</sup> (175 lbs/sqft)
Turning radius: inside/outside	1030/2550 mm (40.5/100.4 in)
Standard tires (Tractor profile)	31X15.50-15 (400/50-15)
Weight	2055 kg (4530 lbs)
Product Code	C967300

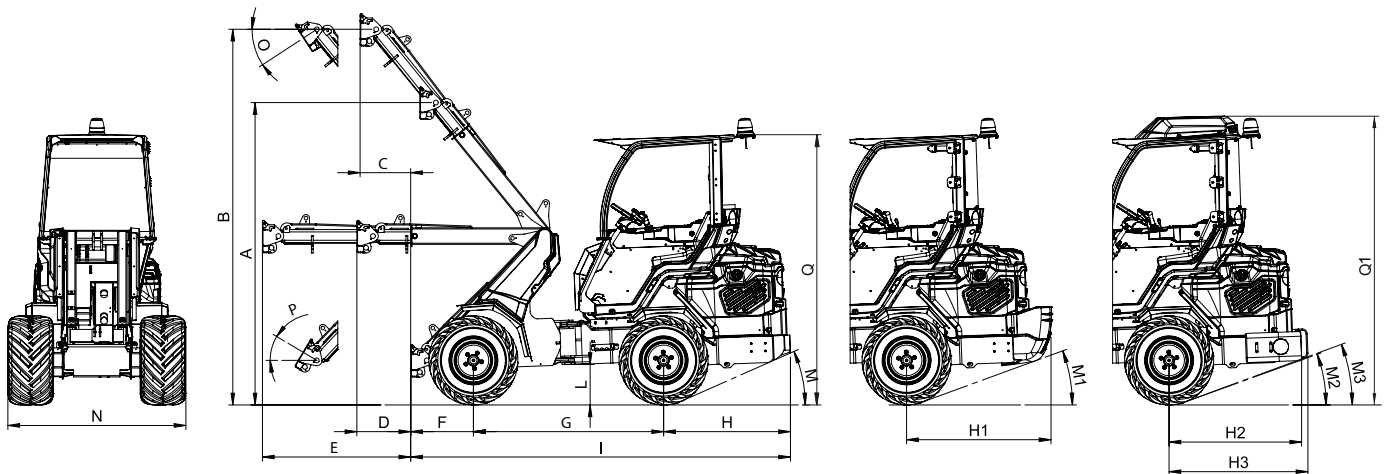
<sup>(1)</sup> Maximum speed that can be achieved with the largest diameter tires available, on a flat surface and machine without attachments.

<sup>(2)</sup> Maximum load that can be lifted just off the ground when the machine is straight, with rear weights and boom not extended. Weight of attachment included. <sup>(3)</sup> Machine straight, with rear weights and boom not extended. Weight of attachment is included. (80% of tipping load).

<sup>(4)</sup> Machine fully articulated, with rear weights and boom not extended. Weight of attachment is included.

## 9.5 SD - FEATURES

- DBS (Dynamic Block System)
- Multi-functions joystick
- Multi-disk parking brake
- Hydraulic oil cooler
- Hydraulic multiconnector
- ROPS-FOPS Level I
- Self-levelling double-H telescopic boom
- Radial Piston high efficiency and heavy duty Wheel Motor
- 2 front working light
- 4WD hydrostatic Direct Drive motors, proportional servo control
- LCD graphic display with programmed service (tachometer, hour meter, fuel gauge, maintenance light, light indicator and other 14 indicators)
- Ergonomic full adjustable spring seat with armrests and seat belt
- Ready to fit cabin



### DIMENSIONS (mm / in)

<b>A</b> - Pivot point height (not extended boom)	2530 / 99.6	<b>I</b> - Machine length (w/o rear weights)	3200 / 126
<b>B</b> - Pivot point height (extended boom)	3210 / 126.4	<b>L</b> - Ground clearance	340 / 13.4
<b>C</b> - Outreach with lifted boom (extended)	460 / 18	<b>M</b> - Angle of departure (w/o rear weights)	24°
<b>D</b> - Outreach with orizontal boom (not extended)	460 / 18	<b>M1</b> - Angle of departure (w/ 440 kg rear weights)	19°
<b>E</b> - Outreach with orizontal boom (extended)	1256 / 49.5	<b>M2</b> - Angle of departure (w/ 180 kg rear weights - side)	19°
<b>F</b> - Front length	530 / 20.8	<b>M3</b> - Angle of departure (w/ 180 kg rear weights - rear)	19°
<b>G</b> - Wheelbase	1600 / 63	<b>N</b> - Max width (w/ standard tires)	1500 / 59
<b>H</b> - Rear length (w/o rear weights)	1070 / 42	<b>O</b> - Dump angle	31°
<b>H1</b> - Rear length (w/ 440 kg rear weights)	1225 / 48.2	<b>P</b> - Rollback angle	29°
<b>H2</b> - Rear length (w/ 180 kg rear weights - side)	1115 / 43.9	<b>Q</b> - Height (w/ standard tires)	2260 / 89
<b>H3</b> - Rear length (w/ 180 kg rear weights - rear)	1170 / 46	<b>Q1</b> - Height with A/C (w/ standard tires)	2460 / 97

Tires size	Width (N)	Height (Q)
31X15.50-15	1500 mm (59 in)	2260 mm (89 in)
27X10.50-15	1370 mm (54 in)	2210 mm (87 in)
27X8.50-15	1320 mm (52 in)	2210 mm (87 in)
26X12.00-12 ET0	1410 mm (55.5 in)	2190 mm (86.5 in)
26X12.00-12 ET-50	1510 mm (59.4 in)	2190 mm (86.5 in)

## 9.5 SD - OPTIONS



Options	Code
110 V engine block heater	C885255
220 V engine block heater	C885250
3 additional working halogen light	C883064
3 additional working LED light	C883018
A/C system with heating for fully enclosed cab (C883044 required - not aftermarket)	C883907
Additional front hydraulic outlets	C883913
Attachment coupling plate for rear mounting	C880031
Automatic locking plate	C883051
Backup warning beeper	C883021
Beacon light	C883039
Biodegradable oil	C883032
Driver area cover	C880049
Flat face coupling kit	C880221
Floating boom valve	C883060
Fully enclosed cab with sound insulation linen and mirrors	C883044
Heated seat	C885216
Heating system	C883033
Hi-Flow	C883912
Left protection bar for operator	C883052
Plexiglass back window (smart cabin)	C883057
Plexiglass right side (smart cabin)	C883056
Plexiglass windscreen (smart cabin)	C883046
Rear 12V electric socket	C883050
Rear bull bar with side extensions	C883037
Rear hydraulic outlets - double	C883908
Rear hydraulic outlets - single	C883049
Rear weights (440 kg / 970 lbs)	C885025
Rear weights 180 kg (90 kg + 90 kg) / 396 lbs (198lbs + 198 lbs)	C880054
Skid tires 27x10.50-15, set of 4	C884012

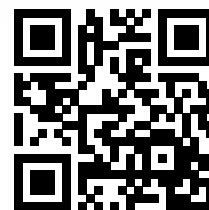
## 9.5 SD - OPTIONS

Options	Code
Skid tires 27x8.50-15, set of 4	C884011
Snow chains for wheel	see page 61
Tie down bracket on wheel hub, set of 4	C883065
Torque divider	C883910
Tractor tires 26x12.00-12 ET-50, set of 4	C884009
Trailer coupling	C885017
Turf tires 26x12.00-12 ET-50, set of 4	C884010
Turf tires 400/50-15, set of 4	C884013
Warning & Safety lights for road travel (with mirrors)	C883045
Wheel spacer 10 mm (0.4 in), set of 4 (max. 1 pcs for wheel)	C880090
Wheel spacer 55 mm (2.2 in), set of 4	C885010

## 12 SERIES

<http://tiny.cc/12seriesEN>

 TIPPING LOAD <b>1530<sup>1</sup></b> kg	 ENGINE POWER <b>40</b> hp	 SPEED <b>20<sup>2</sup></b> km/h	 FLOW RATE <b>52</b> l/min	 LIFT HEIGHT <b>3,45<sup>2</sup></b> m
--	--	---	--	--

<sup>(1)</sup> 12.4 - <sup>(2)</sup> 12.4T 2V

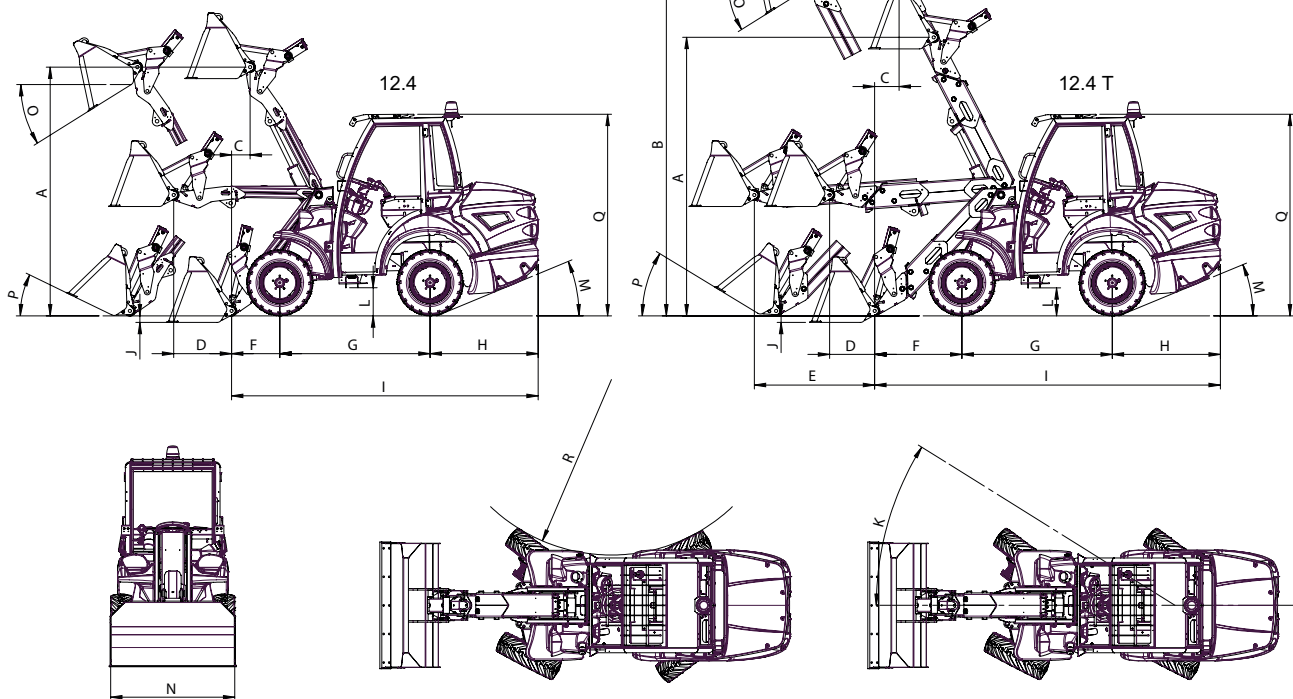
Model	12.4	12.4 2V	12.4 T	12.4 T 2V
Engine	Yanmar 3TNV88			
Power (Iso Gross)	40 HP			
Fuel	Diesel			
Transmission	Hydrostatic			
Drive speed (max.) <sup>(1)</sup>	13 km/h (8 mph)	Double speed: 10 - 20 km/h (6.2 - 12.4 mph)	13 km/h (8 mph)	Double speed: 10 - 20 km/h (6.2 - 12.4 mph)
Boom	Standard	Standard	Telescopic	Telescopic
Aux. hydraulics oil flow	52 l/min (13.7 GPM)			
Max. lifting height	2,4 m (94.5 in)		3,45 m (135.8 in)	
Tipping load, max <sup>(2)</sup>	2009 kg (4430 lbs)		1349 kg (2974 lbs)	
Lifting capacity <sup>(3)</sup>	1439 kg (3172 lbs)		1259 kg (2775 lbs)	
Breakout force / 50 cm w/bucket	1750 kg (3858 lbs)		1840 kg (4056 lbs)	
Pushing force (c)	1900 kgf (1900 kp)			
Specific ground pressure (w/std tires)	1121 kg/m <sup>2</sup> (230 lbs/sqft)		1186 kg/m <sup>2</sup> (243 lbs/sqft)	
Turning radius: inside/outside	1200 / 2437 mm (47.2/95.9 in)			
Standard tires (Skid profile)	27x8.50-15			
Weight	2075 kg (4575 lbs)		2195 kg (4839 lbs)	
Product Code	C985400	C985410	C985420	C985430

<sup>(1)</sup> Maximum speed that can be achieved with the largest diameter tires available, on a flat surface and machine without attachments.<sup>(2)</sup> Maximum load that can be lifted just off the ground when the machine is straight. Weight of attachment included.<sup>(3)</sup> Machine straight and boom not extended. Weight of attachment is included (80% of tipping load).



## 12 SERIES - FEATURES

- 4WD hydrostatic Direct Drive motors, proportional servo control
- Self-levelling boom
- Dual steering system: all-wheel and crab
- Multi-functions joystick
- Multi-disk parking brake
- Radial Piston high efficiency and heavy duty wheel motors
- Hi-Flow system (optional)
- Hydraulic multiconnector
- 2 Speed (only 2V model)
- Hydraulic oil cooler
- ROPS-FOPS Level I
- LCD graphic display with programmed service (tachometer, hour meter, fuel gauge, maintenance light, light indicator and other 14 indicators)
- Ergonomic full adjustable suspension seat with armrest and seat belt
- 2 front working light
- Ready to fit cabin
- Backup warning beeper



### DIMENSIONS (mm / in)

	12.4	12.4 T		12.4	12.4 T
<b>A</b> - Pivot point height (not ext. boom)	2375 / 93.5	2800 / 110.2	<b>K</b> - Steering Angle	32°	
<b>B</b> - Pivot point height (ext. boom)	/	3450 / 135.8	<b>I</b> - Machine length	3015 / 118.7	3460 / 136.2
<b>C</b> - Outreach (lifted boom)	178 / 7	244 / 9.6	<b>L</b> - Ground clearance	280 / 11	
<b>D</b> - Outreach (orizental boom)	450 / 17.7	450 / 17.7	<b>M</b> - Angle of departure	22°	
<b>E</b> - Outreach (ext. orizental boom)	/	1200 / 47.2	<b>N</b> - Max width (std tires)	1237 / 48.7	
<b>F</b> - Front length	416 / 16.4	870 / 34.2	<b>O</b> - Dump angle	32°	
<b>G</b> - Wheelbase	1490 / 58.7		<b>P</b> - Rollback angle	26°	
<b>H</b> - Rear length	1100 / 43.3		<b>Q</b> - Height (std tires)	2000 / 78.7	
<b>J</b> - Digging Depth	160 / 6.3	65 / 2.6	<b>R</b> - Inside turning radius	1200 / 47.2	

Tires size	Width (N)	Height (Q)
27X10.50-15	1287 mm (50.7 in)	2000 mm (78.7 in)
10-16.5	1280 mm (50.4 in)	2070 mm (81.5 in)
400/50-15 (31x15.50-15)	1580 mm (62.2 in)	2055 mm (80.9 in)

## 12 SERIES - OPTIONS

Options	Code
110 V engine block heater	C885255
220 V engine block heater	C885250
Adapter plate to connect mini loader MultiOne attachments	C890025
Beacon light	C883039
Biodegradable oil	C883007
Flat face coupling kit	C880221
Fully enclosed cab with heating system and mirrors	C882006
Heated seat	C885015
Heating system	C882008
Hi-Flow kit for Standard Boom (only for C985400 and C985410)	C882003
Hi-Flow kit for Telescopic Boom (only for C985420 and C985430)	C882007
Rear hydraulic outlet	C882004
Rear inner weights 100 kg/220 lbs	C882009
Skid tires 10-16.5, set of 4	C883106
Skid tires 27x10.50-15, set of 4	C884012
Snow chains for wheel	see page 61
Tie down bracket on wheel hub, set of 4	C883065
Tractor tires 400/50-15 (31x15.50-15), set of 4	C884015
Trailer Coupling	C882002
Turf tires 400/50-15 (31x15.50-15), set of 4	C884014
Wheel spacer 10 mm (0.4 in), set of 4 (max. 1 pcs for wheel)	C880090
Warning & Safety lights for road travel (with mirrors)	C882001

# WHEELS AND TIRES



TRACTOR



TRACTOR HD



SKID



TURF

Code			Size	Profile	Compatibility												
Wheel complete	Rim	Tire			1 Series	2 Series	4 Series	5.2	5.3	6 Series	7 Series	EZ7	8 Series	9 Series	10 Series	6-7-8 SD	9.5 SD
C040034	C040180	C040103	18X9.50-8	Tractor	S												
C040035	C040180	C040102	18X9.50-8	Turf	C												
C040060	C040181	C040116	20X8.00-10	Tractor		S											
C040061	C040181	C040115	20X8.00-10	Turf		C											
C040049	C040182	C040130	23X8.50-12	Turf		C	C	C	C	C	C	C			C		
C040050	C040182	C040131-2	23X8.50-12	Tractor		C	S	S	C	S	C	C			S <sup>6</sup>		
C040075	C040183	C040134	23X10.50-12 ET-25	Tractor			C	C	S	C	S	C	C		S <sup>7</sup>		
C040076	C040183	C040133	23X10.50-12 ET-25	Turf			C	C	C	C	C	C			C		
C040058	C040184	C040138	26X12.00-12 ET-0 (320/60-12)	Skid									C	C		C	
C040052	C040184	C040136 <sup>(1)</sup> C040137 <sup>(2)</sup>	26X12.00-12 ET-0 (320/60-12)	Tractor HD Tractor									C	C		C	
C040053	C040184	C040135	26X12.00-12 ET-0 (320/60-12)	Turf									C	C		C	
C040056	C040185	C040136 <sup>(1)</sup> C040137 <sup>(2)</sup>	26X12.00-12 ET-50 (320/60-12)	Tractor HD Tractor			C	C	C	C	S	S	C	C	S <sup>8</sup>	C	
C040057	C040185	C040135	26X12.00-12 ET-50 (320/60-12)	Turf			C	C	C	C	C	C	C	C	C	C	
C040070	C040190	C040153	27X8.50-15	Skid			C	C	C	C	C	C	C	C	C	C	S
C040072	C040190	C040154	27X10.50-15	Skid					C	C	C	C	C	C	C	C	C
C040085	C040187	C040155	400/50-15	Turf									C	C		C	
C040002	C040187	C040151-2	31X15.50-15 (400/50-15)	Tractor									S	S		S	
C040036	C040188	C040151-2	400/50-15 ET-100	Tractor													C
C040087	C040188	C040155	400/50-15 ET-100	Turf													C
C040088	/	/	10-16.5	Skid													C

(<sup>1</sup>) Starco - (<sup>2</sup>) Trelleborg S = standard ; C = compatible

# OPTIONS

■ Standard 
 ■ Optional 
 ■ Not available



## TELESCOPIC BOOM

Telescopic boom with double H frame for extra strength. It allows reaching considerable load heights, ensuring an excellent visibility of the load at any time.

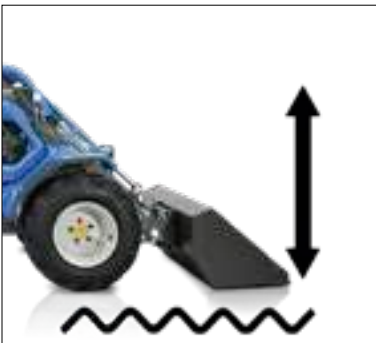
1 Series	2 Series	4 Series	5 Series	6 Series	7 Series	8 Series	9 Series	10 Series	6-7-8 SD	9.5 SD	12.4	12.4 T	EZ7



## SELF-LEVELLING

Allows free up movement of the boom, which means the attachment can easily drive over the bumps of the ground without the need for the operator to frequently adjust height.

1 Series	2 Series	4 Series	5 Series	6 Series	7 Series	8 Series	9 Series	10 Series	6-7-8 SD	9.5 SD	12 Series	EZ7



## FLOATING BOOM VALVE

It allows the mounted attachments to follow the contours of the land perfectly. Ideal for applications in agriculture and in the care of the green areas.

1 Series	2 Series	4 Series	5 Series	6 Series	7 Series	8 Series	9 Series	10 Series	6-7-8 SD	9.5 SD	12 Series	EZ7



## FULLY ENCLOSED CAB WITH SOUND INSULATION LINEN AND MIRRORS

The Full Enclosed Cabin with weatherproof blue tinted glass is the optimal solution for driver protection from cold, wet, wind and winter. The large door enables ease of access, whilst the side glass is hinged to open for ventilation. It's standard equipped with mirrors and wiper. Heating system option is suggested.

1 Series	2 Series	4 Series	5 Series	6 Series	7 Series	8 Series	9 Series	10 Series	6-7-8 SD	9.5 SD	12 Series	EZ7



## "SMART" CABIN

The most competitive solution for the operator who wants to improve working conditions thanks to a light cabin which limits the discomfort created by weathering.

1 Series	2 Series	4 Series	5 Series	6 Series	7 Series	8 Series	9 Series	10 Series	6-7-8 SD	9.5 SD	12 Series	EZ7



# OPTIONS

■ Standard 
 ■ Optional 
 ■ Not available



## HEATING SYSTEM

Three-way heating with adjustable air flows and temperature.

1 Series	2 Series	4 Series	5 Series	6 Series	7 Series	8 Series	9 Series	10 Series	6-7-8 SD	9.5 SD	12 Series	EZ7



## HEATED SEAT

Ergonomic heated seat with armrests, seat belt and documents compartment. Ideal for cold climates, it significantly increases the comfort of the machine.

1 Series	2 Series	4 Series	5 Series	6 Series	7 Series	8 Series	9 Series	10 Series	6-7-8 SD	9.5 SD	12 Series	EZ7



## HIGH COMFORT HEATED SEAT

Ergonomic heated seat with fully adjustable suspension, headrest, armrests, seat belt and documents compartment.

1 Series	2 Series	4 Series	5 Series	6 Series	7 Series	8 Series	9 Series	10 Series	6-7-8 SD	9.5 SD	12 Series	EZ7



## AIR CONDITIONING SYSTEM WITH HEATING FOR CAB

Air conditioning system from the roof of the cabin, with adjustable fan speed and electronic temperature control. Wide air outlets create a very comfortable ventilation system inside the cabin.

1 Series	2 Series	4 Series	5 Series	6 Series	7 Series	8 Series	9 Series	10 Series	6-7 SD	8 SD	9.5 SD	12 Series	EZ7



## FOPS - ROPS

This structure is tested and certified in accordance with ISO 3449 and protects the operator against falling objects.

1 Series	2 Series	4 Series	5 Series	6 Series	7 Series	8 Series	9 Series	10 Series	6-7-8 SD	9.5 SD	12 Series	EZ7



# OPTIONS

■ Standard 
 ■ Optional 
 ■ Not available



## LEFT PROTECTION BAR FOR OPERATOR

It is placed on the left side of the machine to protect the operator from falling out of the vehicle. It can be locked and unlocked very quickly thanks to a special mechanism.

1 Series	2 Series	4 Series	5 Series	6 Series	7 Series	8 Series	9 Series	10 Series	6-7-8 SD	9.5 SD	12 Series	EZ7



## WARNING AND SAFETY LIGHTS FOR ROAD TRAVEL (W/ MIRRORS)

Front and rear lights, brake lights, turning lights, beacon, mirrors. In certain countries this equipment enables road traffic registration – requirements vary in different countries, please consult your local MultiOne distributor.

1 Series	2 Series	4 Series	5 Series	6 Series	7 Series	8 Series	9 Series	10 Series	6-7-8 SD	9.5 SD	12 Series	EZ7



## TRAILER COUPLING

Rear tow hook with double connection: with tow ball (car type) and tow pin (agricultural type). Can be used also with rear weights.

1 Series	2 Series	4 Series	5 Series	6 Series	7 Series	8 Series	9 Series	10 Series	6-7-8 SD	9.5 SD	12 Series	EZ7



## REAR WEIGHTS 220 KG + 220 KG (485 LBS + 485 LBS)

Rear weights are used to increase the lifting capacity of the machine. They are to be mounted on the rear of the machine.

1 Series	2 Series	4 Series	5 Series	6 Series	7 Series	8 Series	9 Series	10 Series	6-7-8 SD	9.5 SD	12 Series	EZ7



## REAR WEIGHTS 90 KG + 90 KG (198 LBS + 198 LBS)

Rear weights are used to increase the lifting capacity of the machine. They are to be mounted on the rear of the machine.

1 Series	2 Series	4 Series	5 Series	6 Series	7 Series	8 Series	9 Series	10 Series	6-7-8 SD	9.5 SD	12 Series	EZ7

# OPTIONS

■ Standard 
 ■ Optional 
 ■ Not available



## REAR WEIGHTS 42 KG + 42 KG (92 LBS + 92 LBS)

Rear weights are used to increase the lifting capacity of the machine. They are to be mounted on the rear of the machine.

1 Series	2 Series	4 Series	5 Series	6 Series	7 Series	8 Series	9 Series	10 Series	6-7-8 SD	9.5 SD	12 Series	EZ7



## DYNAMIC BLOCK SYSTEM

The DBS diverts oil flow between the left & right side hydraulic wheel motors: the hydraulic oil flows in parallel between the hydraulic wheel motors on each side operating similar to a differential lock.

1 Series	2 Series	4 Series	5 Series	6 Series	7 Series	8 Series	9 Series	10 Series	6-7-8 SD	9.5 SD	12 Series	EZ7



## TORQUE DIVIDER

It evenly distributes hydraulic oil between the front right and front left side hydraulic motors, improving traction on slippery and uneven surfaces.

1 Series	2 Series	4 Series	5 Series	6 Series	7.2	7.3+ -7.35	8 Series	9 Series	10 Series	6-7-8 SD	9.5 SD	12 Series	EZ7



## HYDRAULIC MULTICONNECTOR

It is a innovative coupling system for front attachments that allow the connection of the hydraulic lines in a few seconds without stress.

1 Series	2 Series	4 Series	5 Series	6 Series	7 Series	8 Series	9 Series	10 Series	6-7-8 SD	9.5 SD	12 Series	EZ7



## FLAT FACE COUPLING KIT

Adaptor to be put on the multiconnector, in order to connect standard flat face connections.

1 Series	2 Series	4 Series	5 Series	6 Series	7 Series	8 Series	9 Series	10 Series	6-7-8 SD	9.5 SD	12 Series	EZ7

# OPTIONS

■ Standard
 ■ Optional
 ■ Not available



## REAR HYDRAULIC OUTLETS

They are used to mount on the rear side attachments that need hydraulic supply. The rear outlets are controlled by the control panel.

1 Series	2 Series	4 Series	5 Series	6 Series	7 Series	8 Series	9 Series	10 Series	6-7-8 SD	9.5 SD	12 Series	EZ7



## AUTOMATIC LOCKING/UNLOCKING PLATE

On the automatic attachment plate the locking pins move hydraulically and are operated from cockpit.

This way the driver can stay on the seat when coupling and disconnecting non-hydraulic attachments.

1 Series	2 Series	4 Series	5 Series	6 Series	7 Series	8 Series	9 Series	10 Series	6-7-8 SD	9.5 SD	12 Series	EZ7



## ATTACHMENT COUPLING PLATE FOR REAR MOUNTING

It is used to assemble attachments on the rear of the machine.

1 Series	2 Series	4 Series	5 Series	6 Series	7 Series	8 Series	9 Series	10 Series	6-7-8 SD	9.5 SD	12 Series	EZ7



## REAR 12V ELECTRIC SOCKET

12 Volt rear electric socket to connect the attachments.

1 Series	2 Series	4 Series	5 Series	6 Series	7 Series	8 Series	9 Series	10 Series	6-7-8 SD	9.5 SD	12 Series	EZ7



## ENGINE BLOCK HEATER

It is an ideal device for cold temperatures. The system keeps the engine at an optimal temperature for easy starting with very cold climates. 220V or 110V available.

1 Series	2 Series	4 Series	5 Series	6 Series	7 Series	8 Series	9 Series	10 Series	6-7-8 SD	9.5 SD	12 Series	EZ7

# OPTIONS

■ Standard 
 ■ Optional 
 ■ Not available



## WHEEL SPACER KIT

Wheel spacers are used to make the machine wider and increase its stability.

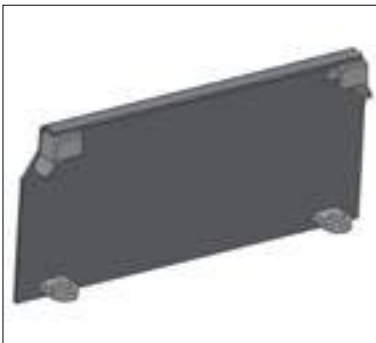
1 Series	2 Series	4 Series	5 Series	6 Series	7 Series	8 Series	9 Series	10 Series	6-7-8 SD	9.5 SD	12 Series	EZ7



## DRIVER AREA COVER

Covers the machine interior, protects against rain, snow, etc.

1 Series	2 Series	4 Series	5 Series	6 Series	7 Series	8 Series	9 Series	10 Series	6-7-8 SD	9.5 SD	12 Series	EZ7



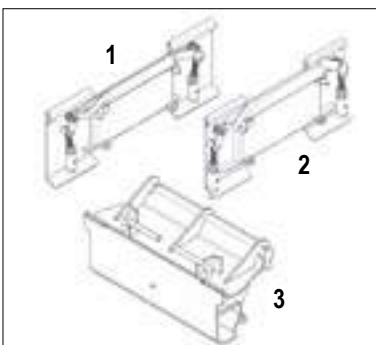
## ATTACHMENT COUPLING PLATE

Plate to be welded on the customer's attachment to make it suitable for MultiOne mini loader. To be checked (at customer charge): - applicable laws and safety requirements - machine and circuits interface.

CODE: C880233 (6 mm)

CODE: C880236 (12 mm)

1 Series	2 Series	4 Series	5 Series	6 Series	7 Series	8 Series	9 Series	10 Series	6-7-8 SD	9.5 SD	12 Series	EZ7



## SKID-STEER ATTACHMENT ADAPTER PLATE

Coupling adapter suitable to mount skid steer attachments on MultiOne mini loader.

1 - CODE: C890020 - Full size skid steer attachment adapter plate

2 - CODE: C890023 - MT skid steer attachment adapter plate

3 - CODE: C880230 - Mini skid steer attachment adapter plate

1 Series	2 Series	4 Series	5 Series	6 Series	7 Series	8 Series	9 Series	10 Series	6-7-8 SD	9.5 SD	12 Series	EZ7



## TILT ADAPTER

Tilt adapter is mounted between the attachment and the loader's attachment coupling plate and it allows to tilt the attachment sideways. Max. 14.5 degree tilting in both directions.

CODE: C890190 - Tilt adapter

1 Series	2 Series	4 Series	5 Series	6 Series	7 Series	8 Series	9 Series	10 Series	6-7-8 SD	9.5 SD	12 Series	EZ7



# OPTIONS

■ Standard 
 ■ Optional 
 ■ Not available



## BEACON LIGHT

Orange beacon light mounted on the top of the cab's roof.

1 Series	2 Series	4 Series	5 Series	6 Series	7 Series	8 Series	9 Series	10 Series	6-7-8 SD	9.5 SD	12 Series	EZ7



## MULTI-FUNCTIONS JOYSTICK

The multi-function electronic joystick allows an easy and precise control of the boom and attachments.

1 Series	2 Series	4 Series	5.2	5.3	6 Series	7.2	7.3+-7.3S	8 Series	9 Series	10 Series	6-7-8 SD	9.5 SD	12 Series	EZ7



## HI FLOW

It's a additional pump that increases the outlets oil flow.

1 Series	2 Series	4 Series	5.2	5.3	6 Series	7.2	7.3+-7.3S	8 Series	9 Series	10 Series	6-SD	7-8 SD	9.5 SD	12 Series	EZ7



## BIODEGRADABLE OIL

A eco-friendly choice. This oil do not produce a lasting oily residue on water and do not impact plant and animal life. It can be trusted in all environmentally sensitive areas.

1 Series	2 Series	4 Series	5 Series	6 Series	7 Series	8 Series	9 Series	10 Series	6-7-8 SD	9.5 SD	12 Series	EZ7



## BACKUP WARNING BEEPER

It help keep everyone safer during MultiOne machine operation.

1 Series	2 Series	4 Series	5 Series	6 Series	7 Series	8 Series	9 Series	10 Series	6-7-8 SD	9.5 SD	12 Series	EZ7



# OPTIONS

■ Standard 
 ■ Optional 
 ■ Not available



## DRIVE MOTORS POWER KIT

The Power kit increases torque (+25%), and decreases speed (-20%) of the standard drive motors.

1 Series	2 Series	4 Series	5 Series	6 Series	7 Series	8 Series	9 Series	10 Series	6-7-8 SD	9.5 SD	12 Series	EZ7



## REAR BULL BAR (WITH SIDE EXTENSIONS FROM 7 SERIES)

It protects the rear side of the machine in case of shocks.

1 Series	2 Series	4 Series	5 Series	6 Series	7 Series	8 Series	9 Series	10 Series	6-7-8 SD	9.5 SD	12 Series	EZ7



## SNOW CHAINS

MultiOne snow chains improve traction on snow or ice. (Set of 2).

Tires	Code	Tires	Code
20x8.00-10	C880040	31x15.50-15 (400/50-15)	C880044
23x8.50-12	C880041	27x8,50-15	C880045
26x12.00-12	C880042	23x10,50-12	C880046

1 Series	2 Series	4 Series	5 Series	6 Series	7 Series	8 Series	9 Series	10 Series	6-7-8 SD	9.5 SD	12 Series	EZ7



## TIE DOWN BRACKET ON WHEEL HUB

The tie down brackets mounted on wheel hub makes easier to tie down the machine on a trailer.

1 Series	2 Series	4 Series	5 Series	6 Series	7 Series	8 Series	9 Series	10 Series	6-7-8 SD	9.5 SD	12 Series	EZ7

# MULTI ONE

WHATEVER YOU NEED  
MULTIONE CAN DO IT



DEPL/PRODUCTS-HANDBOOK R.190-EN

**WWW.MULTIONE.COM**

MultiOne srl  
via Palù, 6/8  
36040 Grumolo delle Abbadesse  
Vicenza - Italy  
[info@multione-csf.com](mailto:info@multione-csf.com)

The information and images herein contained are provided for illustrative purposes only and are not binding on MultiOne, who reserves the right to change them at any time without notice. 2019 MultiOne srl. All rights reserved.